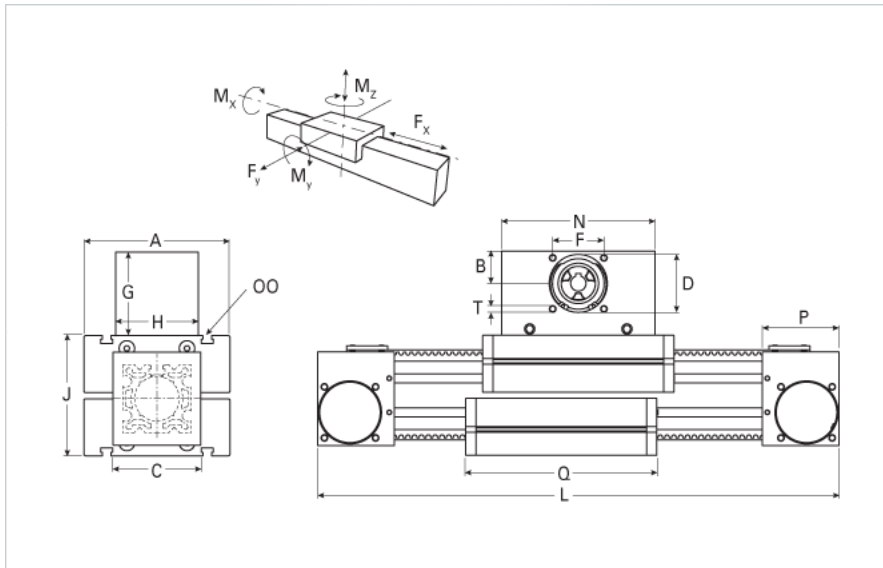
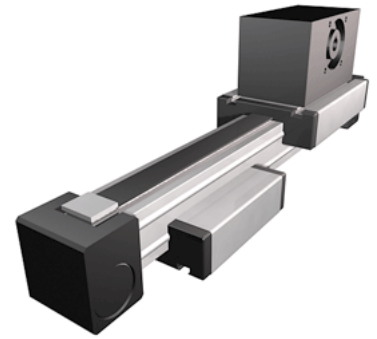


ELZT 60

Call 800-321-7800 or visit us online at www.nookindustries.com to configure and order your ELZT 60 today!



| Details | |
|--|---------|
| Size | 60 |
| Belt | 8M30 |
| mm/Rev | 192 |
| Number of Teeth | 24 |
| Pully Diameter [mm] | 61.1 |
| Dimensions | |
| Basic Length L [mm] | 345 |
| A [mm] | 144 |
| B [mm] | 39 |
| C [mm] | 80 |
| D [mm] | 68 |
| F [mm] | 60 |
| G [mm] | 105 |
| H [mm] | 100 |
| I [mm] | - |
| J [mm] | 98 |
| MM | - |
| N [mm] | 180 |
| OO | M8 |
| P [mm] | 59 |
| Q [mm] | 218 |
| T | M8 |
| V [mm] | - |
| Shaft Diameter and Length [mm] | 18 x 45 |
| Key | 6x6x40 |
| Speed | |
| Speed Maximum [m/s] | 5 |
| Forces and Torques | |
| No-load torque [Nm] | 1.1 |
| Tensile force 0.2 sec [N] | 700 |
| Tensile force permanent [N] | 580 |
| Fy dynamic [N] | 2000 |
| Fx dynamic [N] | 470 |
| Fz dynamic [N] | 1100 |
| Mx dynamic [Nm] | 43 |
| My dynamic [Nm] | 70 |
| Mz dynamic [Nm] | 100 |
| Fx static [N] | 580 |
| Fy static [N] | 3000 |
| Fz static [N] | 1700 |
| Mx static [Nm] | 67 |
| My static [Nm] | 90 |
| Mz static [Nm] | 120 |
| Geometrical moments of inertia of aluminum profile | |
| Elastic modulus [N/mm ²] | 70000 |
| Ix [mm ⁴] | 679000 |

| | |
|-----------------------------------|--------|
| ly [mm ⁴] | 697000 |
| Weight | |
| Additional Weight per 100 mm [kg] | 0.73 |
| Basic Weight [kg] | 9.1 |