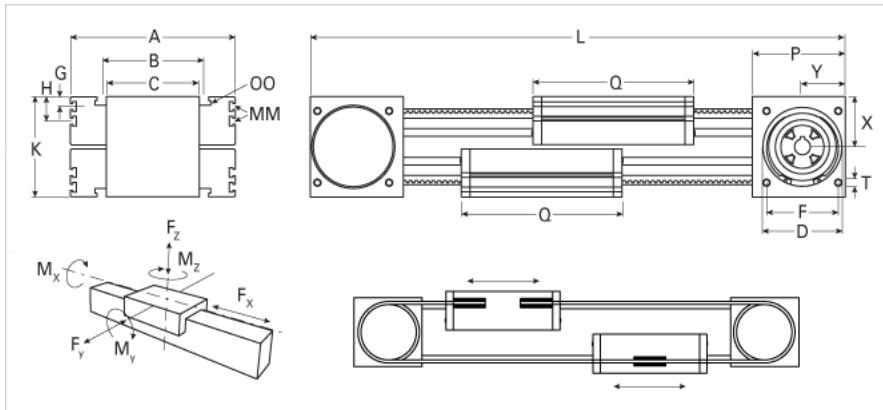
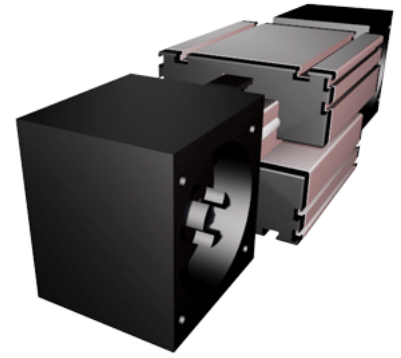


## ELZG 80S

Call 800-321-7800 or visit us online at [www.nookindustries.com](http://www.nookindustries.com) to configure and order your ELZG 80S today!



<b>Details</b>	
Size	80S
Belt	8M30
mm/Rev	320
Number of Teeth	40
<b>Dimensions</b>	
Basic Length L [mm]	480
A [mm]	190
B [mm]	126
C [mm]	118
D [mm]	110
F [mm]	100
G [mm]	12.5
H [mm]	30
K [mm]	142
MM	M6
OO	M8
P [mm]	130
Q [mm]	214
T	M10
X [mm]	70
Y [mm]	60
Shaft Diameter and Length [mm]	22 x 45
Key	6x6x40
<b>Speed</b>	
Speed Maximum [m/s]	8
<b>Forces and Torques</b>	
No-load torque [Nm]	1.2
Tensile force 0.2 sec [N]	2090
Tensile force permanent [N]	1900
Fx dynamic [N]	1800
Fy dynamic [N]	3600
Fz dynamic [N]	1800
Mx dynamic [Nm]	140
My dynamic [Nm]	230
Mz dynamic [Nm]	220
Fx static [N]	1900
Fy static [N]	4600
Fz static [N]	3000
Mx static [Nm]	170
My static [Nm]	270
Mz static [Nm]	300
<b>Geometrical moments of inertia of aluminum profile</b>	
Elastic modulus [N/mm <sup>2</sup> ]	70000
Ix [mm <sup>4</sup> ]	1899000
Iy [mm <sup>4</sup> ]	1897000
<b>Weight</b>	
Additional Weight per 100 mm [kg]	1.15
Basic Weight [kg]	24.5
<b>Values for Calculating Inertias</b>	
Pulley Material	Steel
Pulley Diameter [mm]	101.86
Effective Pulley Width [mm]	118

Belt Weight [kg/m]	0.256
Standard Carriage Weight [kg]	3.52
No-load torque [Nm]	1.2
Friction Coefficient	0.01