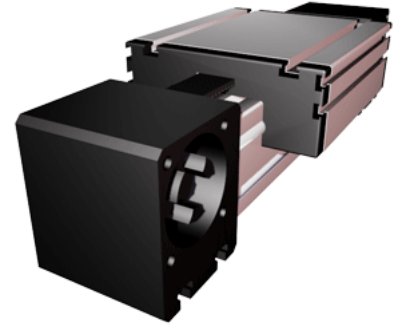
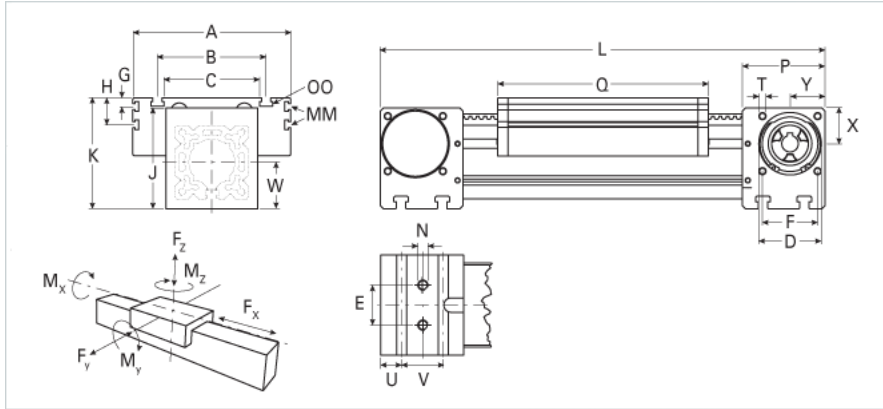


ELZex 80

Call 800-321-7800 or visit us online at www.nookindustries.com to configure and order your ELZex 80 today!



Details	
Size	80
Belt	8M30
mm/Rev	192
Number of Teeth	24
Pully Diameter [mm]	61.1
Dimensions	
Basic Length L [mm]	375
A [mm]	170
B [mm]	117
C [mm]	100
D [mm]	68
E [mm]	40
F [mm]	60
G [mm]	10
H [mm]	30
J [mm]	110
K [mm]	121
MM	M6
N	M10
OO	M10
P [mm]	90
Q [mm]	194
T	M8
U [mm]	22.5
V [mm]	45
W [mm]	51
X [mm]	39
Y [mm]	38
Shaft Diameter and Length [mm]	18 x 45
Key	6x6x40
Speed	
Speed Maximum [m/s]	1
Forces and Torques	
No-load torques [Nm]	0.9
Tensile force permanent [N]	1083
Fx dynamic [N]	866
Fy dynamic [N]	1267
Fz dynamic [N]	490
Mx dynamic [Nm]	29
My dynamic [Nm]	32
Mz dynamic [Nm]	81
Fx static [N]	1083
Fy static [N]	1584
Fz static [N]	613
Mx static [Nm]	36
My static [Nm]	39
Mz static [Nm]	100
Geometrical moments of inertia of aluminum profile	
Elastic modulus [N/mm ²]	70000
Ix [mm ⁴]	1899000
Iy [mm ⁴]	1897000
Weight	

Additional Weight per 100 mm [kg]

1.00

Basic Weight [kg]

10.0
