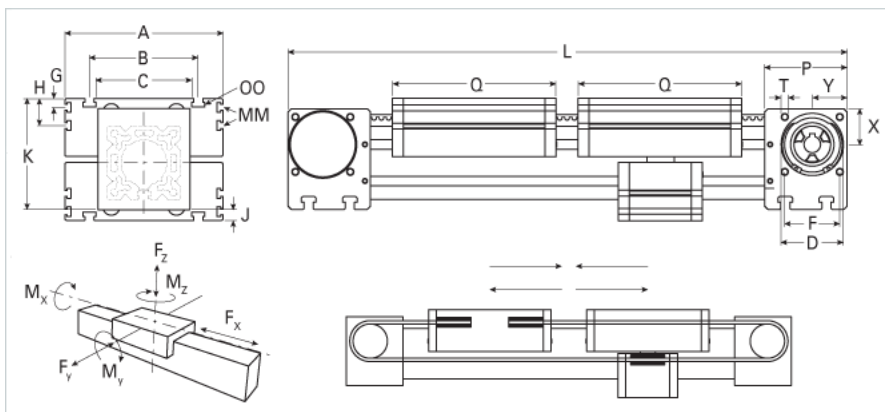
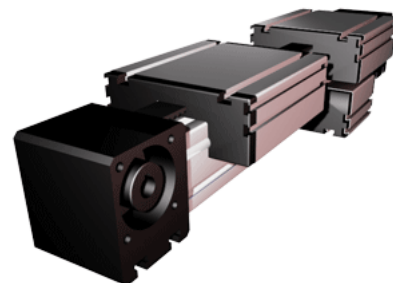


## ELZ 80 Dual Carriage

Call 800-321-7800 or visit us online at [www.nookindustries.com](http://www.nookindustries.com) to configure and order your ELZ 80 Dual Carriage today!



<b>Details</b>	
Size	80
Belt	8M30
mm/Rev	192
Number of Teeth	24
Pully Diameter [mm]	61.1
<b>Dimensions</b>	
Basic Length L [mm]	570
A [mm]	170
B [mm]	117
C [mm]	100
D [mm]	68
F [mm]	60
G [mm]	10
H [mm]	30
J [mm]	19
K [mm]	140
MM	M6
OO	M10
P [mm]	90
Q [mm]	194
T	M8
X [mm]	39
Y [mm]	39
Shaft Diameter and Length [mm]	18 x 45
Key	6x6x40
<b>Speed</b>	
Speed Maximum [m/s]	7
<b>Forces and Torques</b>	
No-load torque [Nm]	0.7
Tensile force 0.2 sec [N]	1000
Tensile force permanent [N]	900
Fx dynamic [N]	800
Fy dynamic [N]	2000
Fz dynamic [N]	1100
Mx dynamic [Nm]	55
My dynamic [Nm]	80
Mz dynamic [Nm]	120
Fx static [N]	1900
Fy static [N]	3000
Fz static [N]	1700
Mx static [Nm]	90
My static [Nm]	110
Mz static [Nm]	150
<b>Geometrical moments of inertia of aluminum profile</b>	
Elastic modulus [N/mm <sup>2</sup> ]	70000
Ix [mm <sup>4</sup> ]	1899000
Iy [mm <sup>4</sup> ]	1897000
<b>Weight</b>	
Additional Weight per 100 mm [kg]	1.00
Basic Weight [kg]	15.0