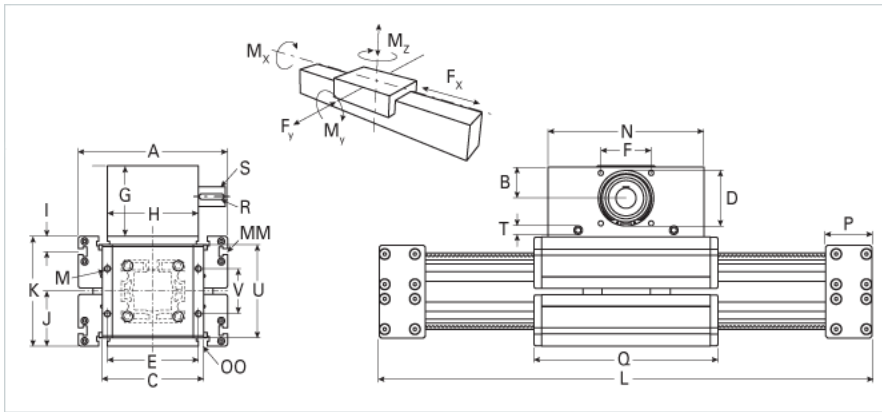
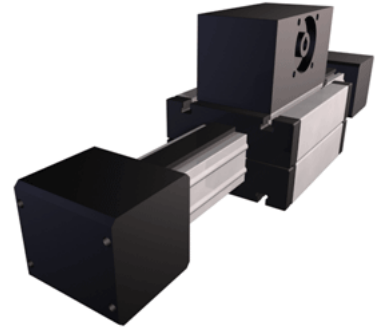


ELFZ 125

Call 800-321-7800 or visit us online at www.nookindustries.com to configure and order your ELFZ 125 today!



Details

Size	125
Belt	8M100
mm/Rev	155
Number of Teeth	38
Pully Diameter [mm]	96.8

Dimensions

Basic Length L [mm]	560
A [mm]	295
B [mm]	62
C [mm]	200
D [mm]	110
E [mm]	180
F [mm]	100
G [mm]	139
H [mm]	180
I [mm]	30
J [mm]	107.5
K [mm]	215
M	M12
MM	M10
N [mm]	310
OO [mm]	M12
P [mm]	92
Q [mm]	365
R [mm]	12x8x50
S [mm]	40x55
T	M10
V [mm]	89
Shaft Diameter and Length [mm]	40 x 55
Key	12x8x50

Speed

Speed Maximum [m/s]	4
---------------------	---

Forces and Torques

Drive Torque Maximum [Nm]	500
No-load torque [Nm]	2
Mz dynamic [Nm]	2300
Mz static [Nm]	2700
Fx dynamic [N]	10400
Fy dynamic [N]	18000
Fz dynamic [N]	9000
Mx dynamic [Nm]	900
My dynamic [Nm]	1200
Fx static [N]	12000
Fy static [N]	24000
Fz static [N]	12000
Mx static [Nm]	1200
My static [Nm]	1500

Geometrical moments of inertia of aluminum profile

Elastic modulus [N/mm ²]	70000
Ix [mm ⁴]	10150000
Iy [mm ⁴]	10150000

Weight

Additional Weight per 100 mm [kg]

2.70

Basic Weight [kg]

87.5
