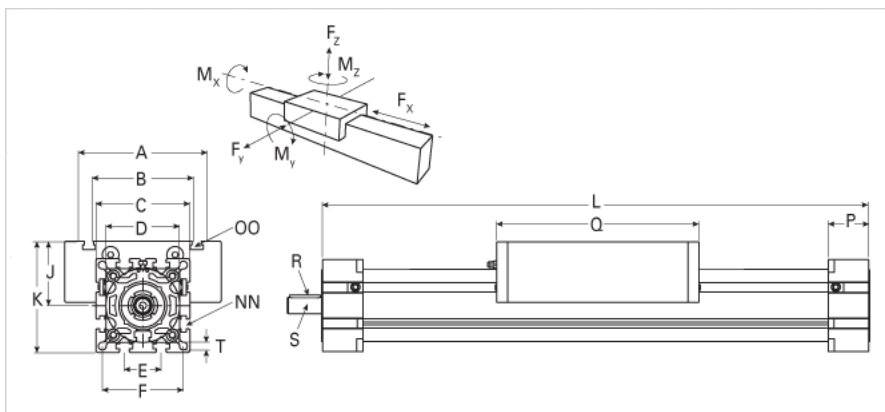
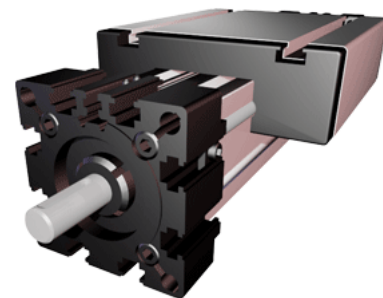


ELK 60

Call 800-321-7800 or visit us online at www.nookindustries.com to configure and order your ELK 60 today!



Details	
Size	60
Screw Options	25x5/20x20/25x10/20x50
Screw Type	Ball Screw
Dimensions	
Basic Length L [mm]	245
A [mm]	144
B [mm]	96
C [mm]	82
D [mm]	62x1
E [mm]	30
F [mm]	69
G [mm]	-
H [mm]	-
J [mm]	49
K [mm]	90
MM	-
NN	M8
OO	M8
P [mm]	35
Q [mm]	168
R [mm]	5x5x28
S Diameter x Length [mm]	14x35
T-Diameter [mm]	8.5
Forces and Torques	
Fx dynamic [N]	2000
Fy dynamic [N]	2000
Fz dynamic [N]	1100
Mx dynamic [Nm]	43
My dynamic [Nm]	70
Mz dynamic [Nm]	100
Fx static [N]	2500
Fy static [N]	3000
Fz static [N]	1700
Mx static [Nm]	67
My static [Nm]	90
Mz static [Nm]	120
Geometrical moments of inertia of aluminum profile	
Elastic modulus [N/mm ²]	70000
Ix [mm ⁴]	679000
Iy [mm ⁴]	697000
Weight	
Additional Weight per 100 mm [kg]	0.89
Basic Weight [kg]	5.1