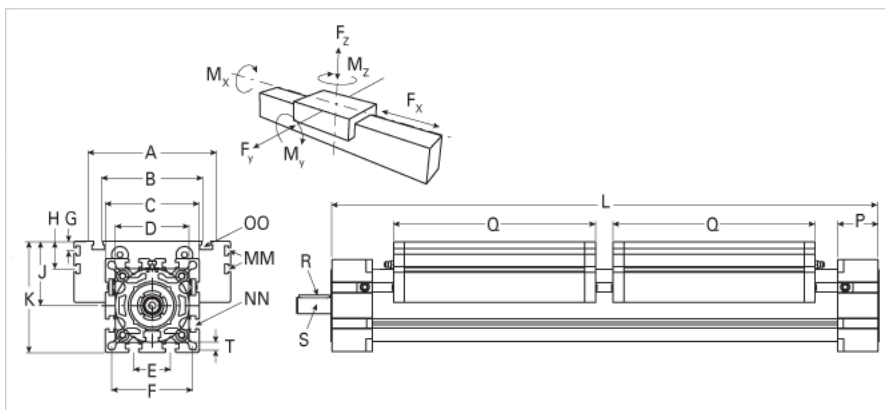
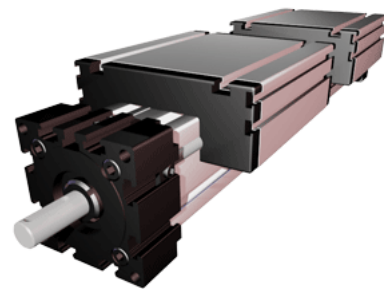


ELT 80S Dual Carriage

Call 800-321-7800 or visit us online at www.nookindustries.com to configure and order your ELT 80S Dual Carriage today!



Details	
Size	80S
Screw Options	28x5/28x10
Screw Type	Trapezoidal
Dimensions	
Basic Length L [mm]	520
A [mm]	190
B [mm]	126
C [mm]	102
D [mm]	80x1
E [mm]	40
F [mm]	88
G [mm]	12.5
H [mm]	30
J [mm]	71
K [mm]	122
MM	M6
NN	M10
OO	M8
P [mm]	45
Q [mm]	214
R [mm]	6x6x40
S Diameter x Length [mm]	18 x 45
T-Diameter [mm]	8.5
Forces and Torques	
No-load torque [Nm]	1.0
Fx dynamic [N]	4000
Fy dynamic [N]	3600
Fz dynamic [N]	1800
Mx dynamic [Nm]	140
My dynamic [Nm]	230
Mz dynamic [Nm]	220
Fx static [N]	5000
Fy static [N]	4600
Fz static [N]	3000
Mx static [Nm]	170
My static [Nm]	270
Mz static [Nm]	300
Geometrical moments of inertia of aluminum profile	
Elastic modulus [N/mm ²]	70000
Ix [mm ⁴]	1899000
Iy [mm ⁴]	1897000
Weight	
Additional Weight per 100 mm [kg]	1.48
Basic Weight [kg]	17.0