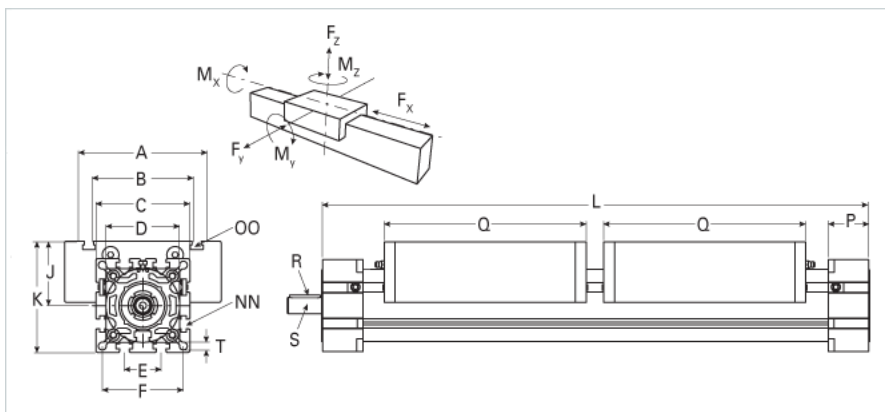
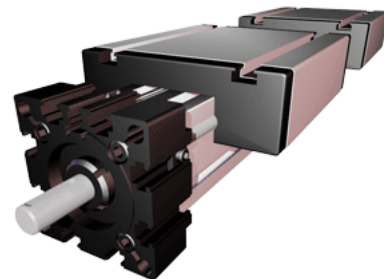


## ELT 60 Dual Carriage

Call 800-321-7800 or visit us online at [www.nookindustries.com](http://www.nookindustries.com) to configure and order your ELT 60 Dual Carriage today!



| Details  |             |
|--|-------------|
| Size   | 60          |
| Screw Options                                      | 24x5/24x10  |
| Screw Type   | Trapezoidal |
| Dimensions   |             |
| Basic Length L [mm]                                | 410         |
| A [mm]   | 144         |
| B [mm]   | 96          |
| C [mm]   | 82          |
| D [mm]   | 62x1        |
| E [mm]   | 30          |
| F [mm]   | 69          |
| G [mm]   | -           |
| H [mm]   | -           |
| J [mm]   | 49          |
| K [mm]   | 90          |
| MM   | -           |
| NN   | M8          |
| OO   | M8          |
| P [mm]   | 35          |
| Q [mm]   | 168         |
| R [mm]   | 5x5x28      |
| S Diameter x Length [mm]                           | 14 x 35     |
| T-Diameter [mm]                                    | 8.5         |
| Forces and Torques                                 |             |
| No-load torque [Nm]                                | 0.8         |
| Fx dynamic [N]                                     | 2000        |
| Fy dynamic [N]                                     | 2000        |
| Fz dynamic [N]                                     | 1100        |
| Mx dynamic [Nm]                                    | 43          |
| My dynamic [Nm]                                    | 70          |
| Mz dynamic [Nm]                                    | 100         |
| Fx static [N]                                      | 2500        |
| Fy static [N]                                      | 3000        |
| Fz static [N]                                      | 1700        |
| Mx static [Nm]                                     | 67          |
| My static [Nm]                                     | 90          |
| Mz static [Nm]                                     | 120         |
| Geometrical moments of inertia of aluminum profile |             |
| Elastic modulus [N/mm <sup>2</sup> ]               | 70000       |
| Ix [mm <sup>4</sup> ]                              | 679000      |
| Iy [mm <sup>4</sup> ]                              | 697000      |
| Weight   |             |
| Additional Weight per 100 mm [kg]                  | 0.89        |
| Basic Weight [kg]                                  | 8.1         |