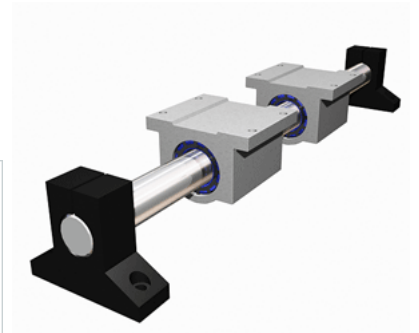
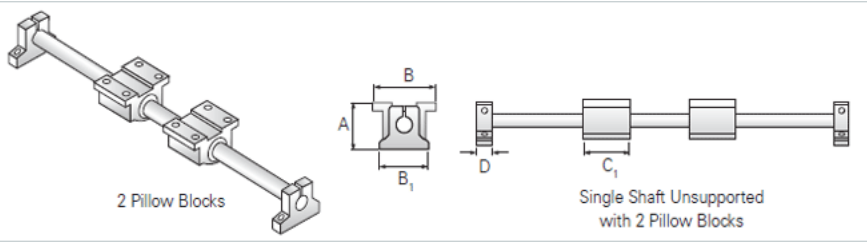


PowerTrax 121-16-SXX

Call 800-321-7800 or visit us online at www.nookindustries.com to configure and order your PowerTrax 121-16-SXX today!



Product Info

Nominal Shaft Diameter [in]	1.00
Pillow Block	XEP-16
End Support	NSB-16

Dimensions

A +/-0.003 [in]	2.687
B [in]	3.25
B1 [in]	3.25
C1 [in]	2.81
D [in]	1.00

Performance Specifications

Load Maximum/Block [lbf]	725
--------------------------	-----