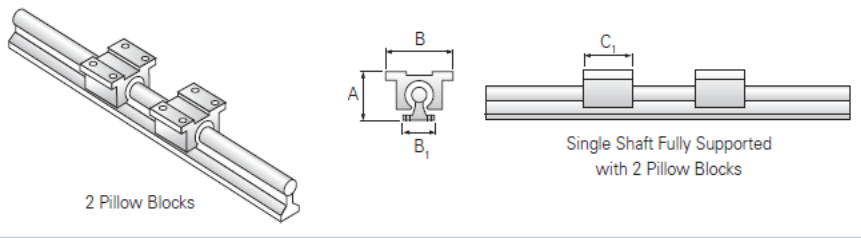
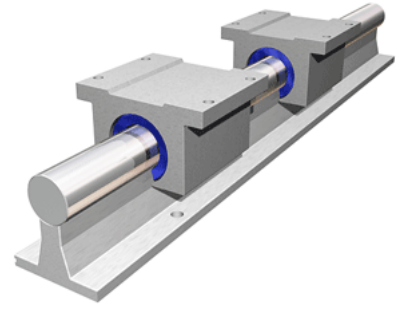


PowerTrax 131-16-SXX

Call 800-321-7800 or visit us online at www.nookindustries.com to configure and order your PowerTrax 131-16-SXX today!



Product Info

Nominal Shaft Diameter [in]	1.00
Pillow Block	TEP-16-OPN

Dimensions

A +/-0.003 [in]	2.937
B [in]	3.25
B1 [in]	2.13
C1 [in]	2.81

Performance Specifications

Load Maximum/Block [lbf]	711
--------------------------	-----