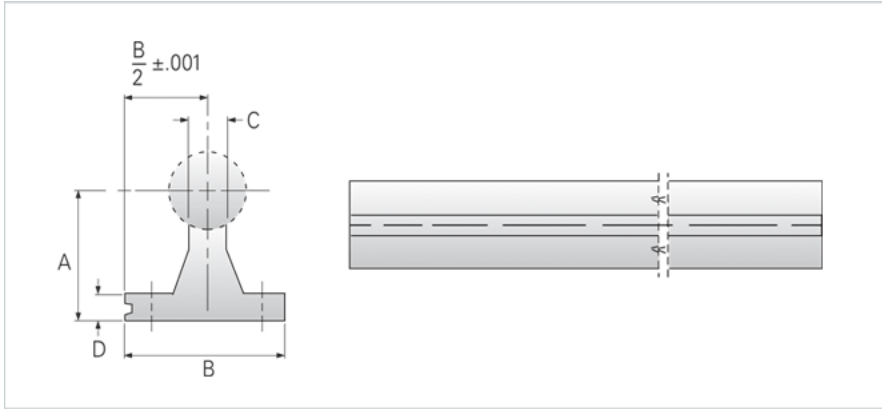
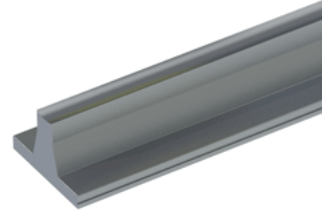


PowerTrax NSR-32

Call 800-321-7800 or visit us online at www.nookindustries.com to configure and order your PowerTrax NSR-32 today!



Product Info

Nominal Shaft Diameter [in] 2.00

Dimensions

A +/-0.002 [in] 3.250
 B [in] 3.75
 C [in] 0.875
 D [in] 0.500

Part Number

24" Part Number NSR-32-24
 36" Part Number NSR-32-36
 48" Part Number NSR-32-48

Weight

Weight Per Foot [lb] 4.20