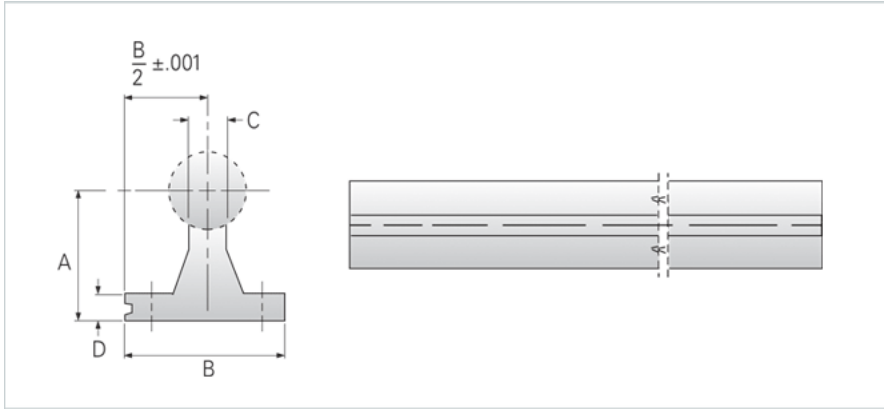
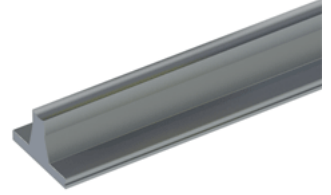


## PowerTrax NSR-24

Call 800-321-7800 or visit us online at [www.nookindustries.com](http://www.nookindustries.com) to configure and order your PowerTrax NSR-24 today!



### Product Info

Nominal Shaft Diameter [in]	1.50
-----------------------------	------

### Dimensions

A +/-0.002 [in]	2.500
B [in]	3.00
C [in]	0.688
D [in]	0.375

### Part Number

24" Part Number	NSR-24-24
36" Part Number	NSR-24-36
48" Part Number	NSR-24-48

### Weight

Weight Per Foot [lb]	2.60
----------------------	------