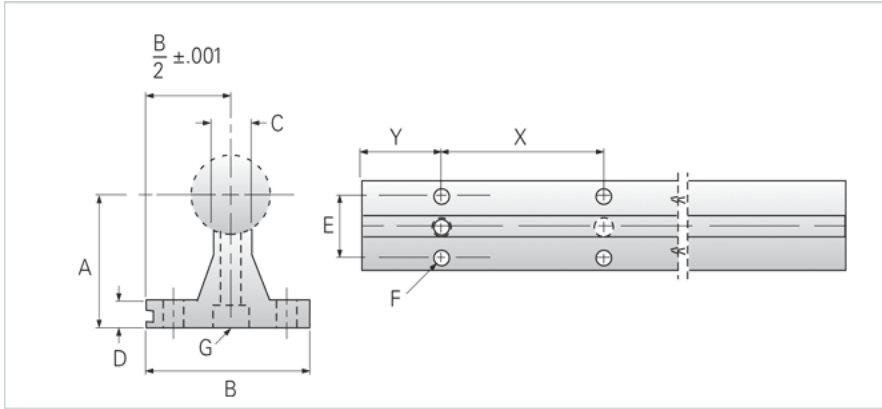
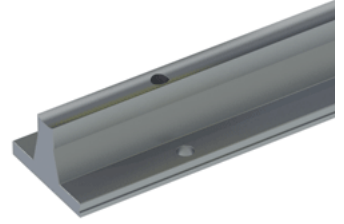


PowerTrax NSR-32-PD

Call 800-321-7800 or visit us online at www.nookindustries.com to configure and order your PowerTrax NSR-32-PD today!



Product Info

Nominal Shaft Diameter [in] 2.00

Dimensions

A +/-0.002 [in] 3.250

B [in] 3.75

C [in] 0.875

D [in] 0.500

E [in] 2.75

X 8

Y 4*

F Bolt 1/2"

F Hole [in] 0.531

G Hole [in] 0.531

G Screw 1/2-13x2-1/2

Part Number

24" Part Number NSR-32-PD-24

36" Part Number NSR-32-PD-36

48" Part Number NSR-32-PD-48

Weight

Weight Per Foot [lb] 4.00