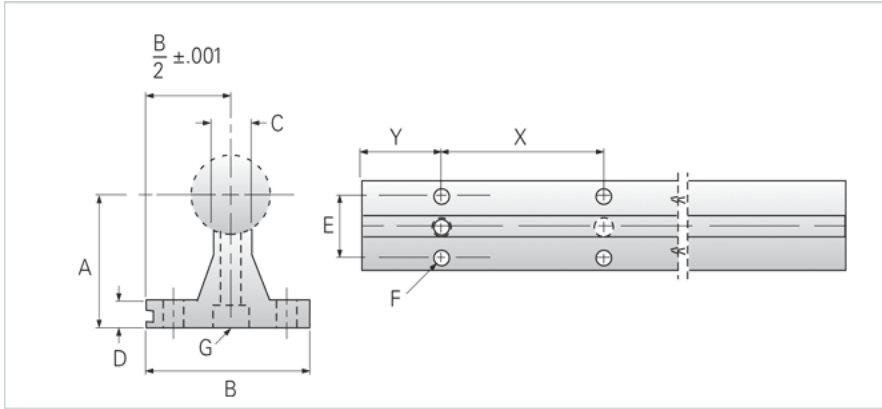
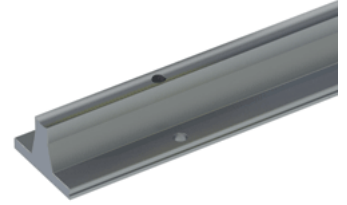


PowerTrax NSR-24-PD

Call 800-321-7800 or visit us online at www.nookindustries.com to configure and order your PowerTrax NSR-24-PD today!



Product Info

Nominal Shaft Diameter [in] 1.50

Dimensions

A +/-0.002 [in] 2.500

B [in] 3.00

C [in] 0.688

D [in] 0.375

E [in] 2.25

X 8

Y 4*

F Bolt 3/8"

F Hole [in] 0.406

G Hole [in] 0.406

G Screw 3/8-16x2

Part Number

24" Part Number NSR-24-PD-24

36" Part Number NSR-24-PD-36

48" Part Number NSR-24-PD-48

Weight

Weight Per Foot [lb] 2.40