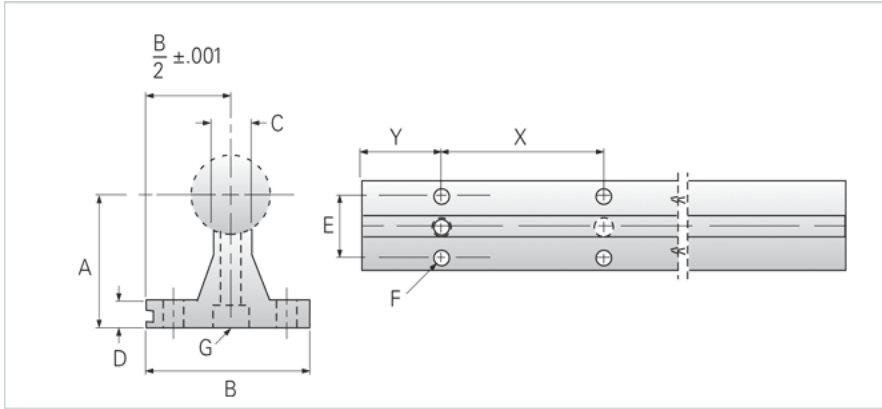
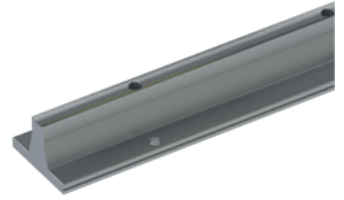


PowerTrax NSR-20-PD

Call 800-321-7800 or visit us online at www.nookindustries.com to configure and order your PowerTrax NSR-20-PD today!



Product Info

Nominal Shaft Diameter [in] 1.25

Dimensions

A +/-0.002 [in] 2.125
 B [in] 2.50
 C [in] 0.563
 D [in] 0.313
 E [in] 1.88
 X 6
 Y 3
 F Bolt 5/16"
 F Hole [in] 0.343
 G Hole [in] 0.343
 G Screw 5/16-18x1-3/4

Part Number

24" Part Number NSR-20-PD-24
 36" Part Number NSR-20-PD-36
 48" Part Number NSR-20-PD-48

Weight

Weight Per Foot [lb] 2.00