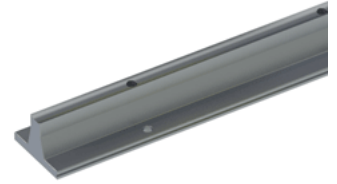
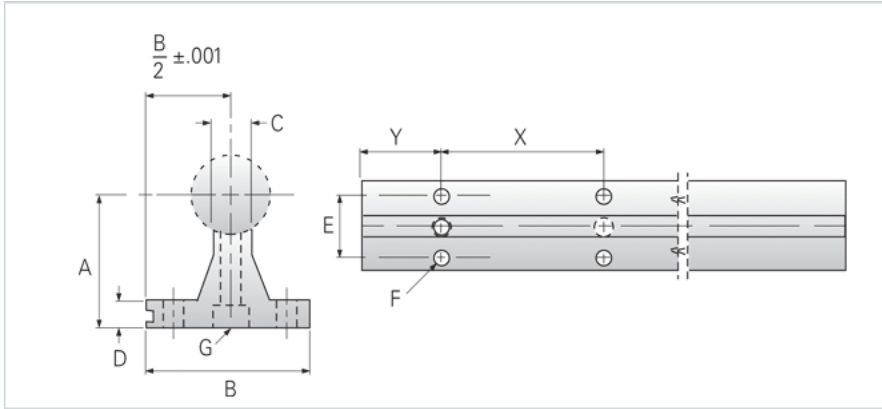


## PowerTrax NSR-16-PD

Call 800-321-7800 or visit us online at [www.nookindustries.com](http://www.nookindustries.com) to configure and order your PowerTrax NSR-16-PD today!



### Product Info

Nominal Shaft Diameter [in] 1.00

### Dimensions

A +/-0.002 [in] 1.750

B [in] 2.13

C [in] 0.500

D [in] 0.250

E [in] 1.50

X 6

Y 3

F Bolt 1/4"

F Hole [in] 0.281

G Hole [in] 0.281

G Screw 1/4-20x1-1/2

### Part Number

24" Part Number NSR-16-PD-24

36" Part Number NSR-16-PD-36

48" Part Number NSR-16-PD-48

### Weight

Weight Per Foot [lb] 1.20