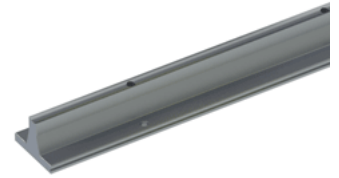
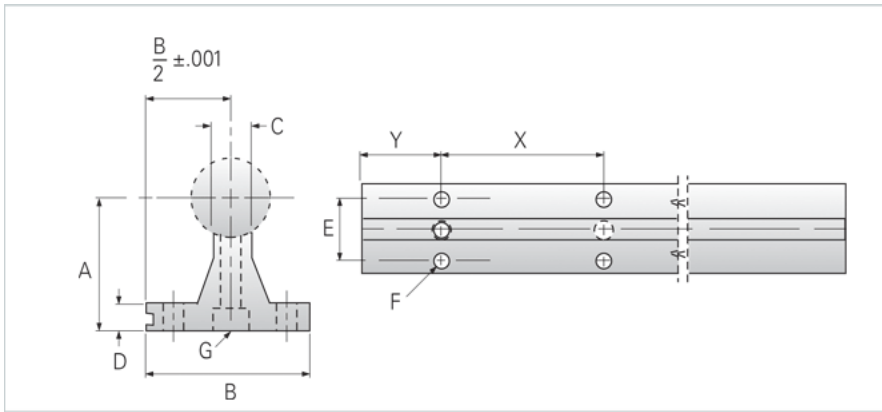


PowerTrax NSR-12-PD

Call 800-321-7800 or visit us online at www.nookindustries.com to configure and order your PowerTrax NSR-12-PD today!



Product Info

Nominal Shaft Diameter [in] 0.75

Dimensions

A +/-0.002 [in] 1.500

B [in] 1.75

C [in] 0.375

D [in] 0.250

E [in] 1.25

X 6

Y 3

F Bolt 10

F Hole [in] 0.221

G Hole [in] 0.221

G Screw 10-32x7/8

Part Number

24" Part Number NSR-12-PD-24

36" Part Number NSR-12-PD-36

48" Part Number NSR-12-PD-48

Weight

Weight Per Foot [lb] 0.90