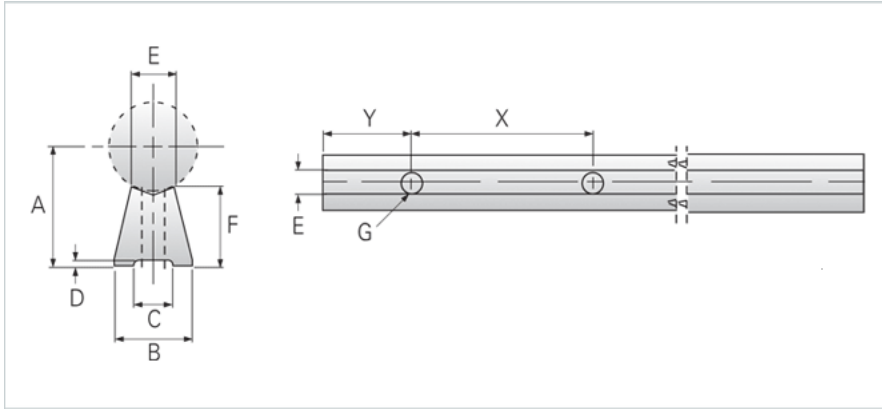
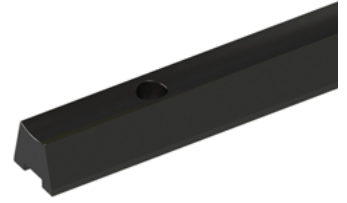


## NLR-20-PD

Call 800-321-7800 or visit us online at [www.nookindustries.com](http://www.nookindustries.com) to configure and order your NLR-20-PD today!



### Product Info

Nominal Shaft Diameter [in] 1.25

### Dimensions

A +/-0.002 [in] 1.188

B [in] 0.78

C [in] 0.343

D [in] 0.09

E [in] 0.518

F [in] 0.617

G - Hole [in] 0.343

X 6

Y 3

G - Bolt 5/16

### Part Number

12" Part Number NLR-20-PD-12

24" Part Number NLR-20-PD-24

36" Part Number NLR-20-PD-36

48" Part Number NLR-20-PD-48

### Weight

Weight Per Foot [lb] 0.45