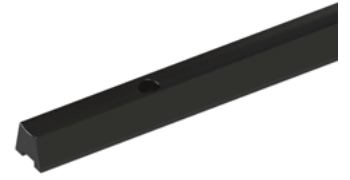
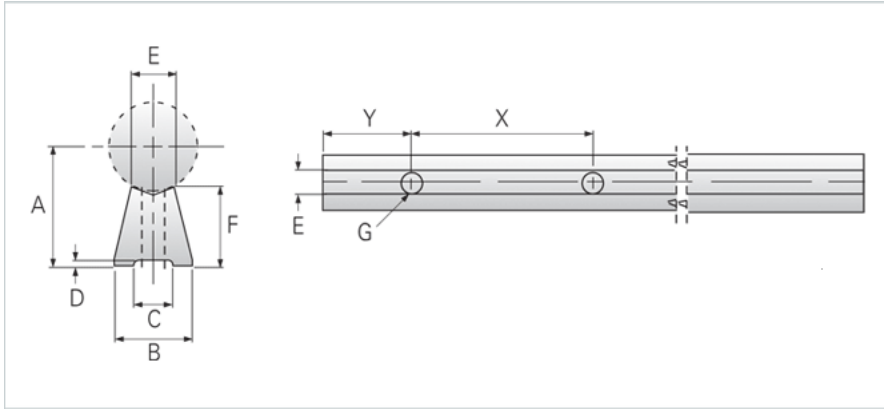


## NLR-12-PD

Call 800-321-7800 or visit us online at [www.nookindustries.com](http://www.nookindustries.com) to configure and order your NLR-12-PD today!



### Product Info

Nominal Shaft Diameter [in] 0.75

### Dimensions

A +/-0.002 [in] 0.750  
 B [in] 0.51  
 C [in] 0.221  
 D [in] 0.06  
 E [in] 0.335  
 F [in] 0.412  
 G - Hole [in] 0.221  
 X 6  
 Y 3  
 G - Bolt 10

### Part Number

12" Part Number NLR-12-PD-12  
 24" Part Number NLR-12-PD-24  
 36" Part Number NLR-12-PD-36  
 48" Part Number NLR-12-PD-48

### Weight

Weight Per Foot [lb] 0.21