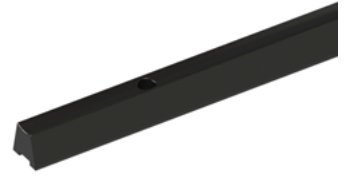
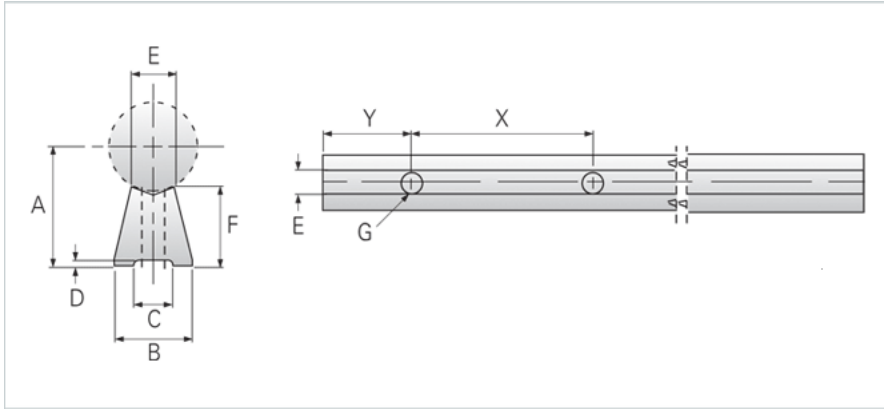


NLR-10-PD

Call 800-321-7800 or visit us online at www.nookindustries.com to configure and order your NLR-10-PD today!



Product Info

Nominal Shaft Diameter [in] 0.63

Dimensions

A +/-0.002 [in] 0.688
 B [in] 0.45
 C [in] 0.193
 D [in] 0.04
 E [in] 0.278
 F [in] 0.406
 G - Hole [in] 0.193
 X 4
 Y 2
 G - Bolt 8

Part Number

12" Part Number NLR-10-PD-12
 24" Part Number NLR-10-PD-24
 36" Part Number NLR-10-PD-36
 48" Part Number NLR-10-PD-48

Weight

Weight Per Foot [lb] 0.17