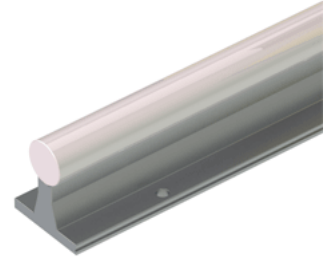
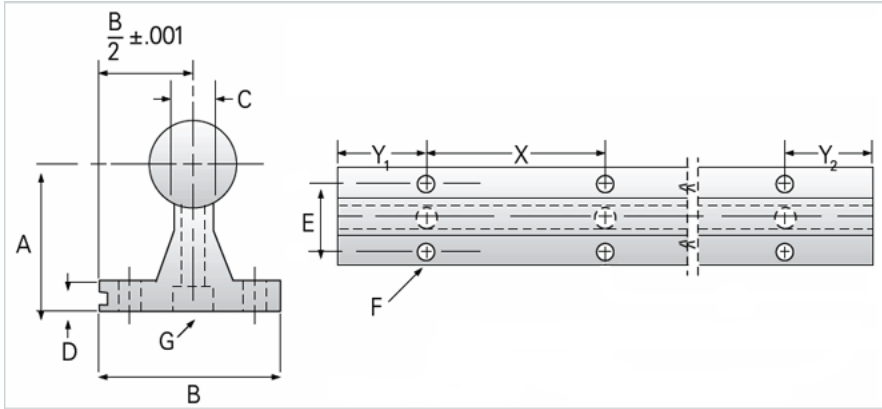


## NSR-20-PDA

Call 800-321-7800 or visit us online at [www.nookindustries.com](http://www.nookindustries.com) to configure and order your NSR-20-PDA today!



### Product Info

Nominal Diameter [in] 1.25

### Dimensions

A +/-0.002 [in] 2.125

B [in] 2.50

C [in] 0.563

D [in] 0.313

E [in] 1.88

G - Hole [in] 0.343

X [in] 6

F - Bolt 5/16"

F - Hole [in] 0.343

G - Screw 5/16-18x1-3/4

### Weight

Weight Per Foot [lb] 6.28