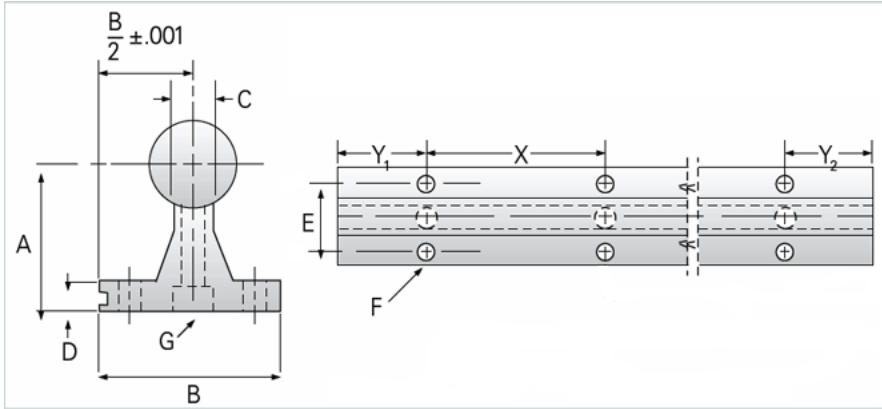


NSR-10-PDA

Call 800-321-7800 or visit us online at www.nookindustries.com to configure and order your NSR-10-PDA today!



Product Info

Nominal Diameter [in] 0.63

Dimensions

A +/-0.002 [in] 1.125

B [in] 1.63

C [in] 0.313

D [in] 0.250

E [in] 1.13

G - Hole [in] 0.193

X [in] 4

F - Bolt 8

F - Hole [in] 0.193

G - Screw 8-32x7/8

Weight

Weight Per Foot [lb] 1.83