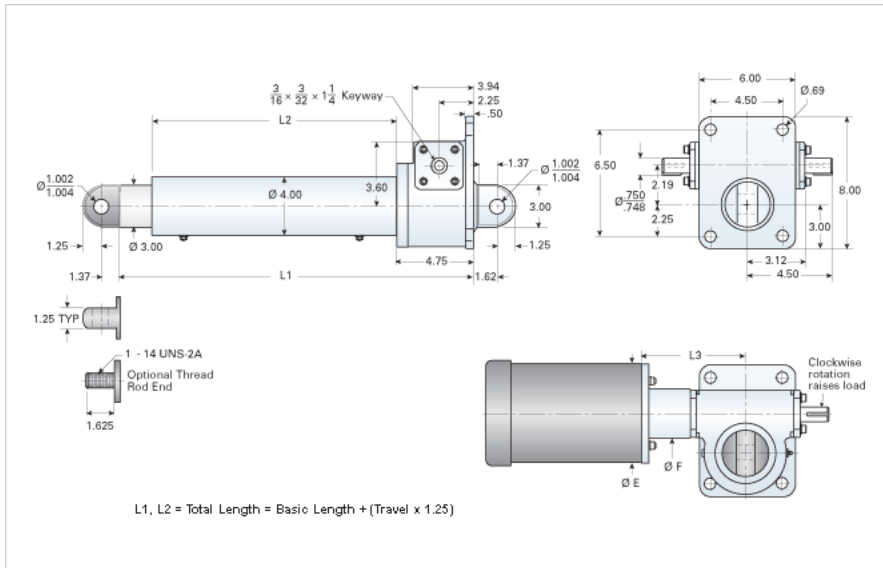


## DD-506-HD/30XX

Call 800-321-7800 or visit us online at [www.nookindustries.com](http://www.nookindustries.com) to configure and order your DD-506-HD/30XX today!



### Performance Specifications

|  |         |
|--|---------|
| Travel Rate [in/min]                         | 136     |
| Dynamic Capacity [lb]                        | 5750    |
| Rated Life [in]                              | 5400000 |
| Motor Horse Power [hp]                       | 3       |
| Maximum Rod Reaction Torque [in-lb]          | 480     |
| Std. Brake Torque [ft-lb]                    | 15      |
| Approximate Stopping Distance No Load [in]   | 0.35    |
| Approximate Stopping Distance Full Load [in] | 0.66    |

### Details

|                                |        |
|--------------------------------|--------|
| Gear Ratio                     | 6:1    |
| Input Turns Per Inch Of Travel | 12.66  |
| Torque To Raise 1 lb. [in-lb]  | 0.0183 |
| Max Capacity [lb]              | 10000  |
| Max HP [hp]                    | 3      |

### Weight

|                         |      |
|-------------------------|------|
| Basic Weight [lb]       | 63   |
| Per Inch of Travel [lb] | 1.92 |

### Tube Dimensions

|                      |       |
|----------------------|-------|
| L1 Basic Length [in] | 15.13 |
| L2 Basic Length [in] | 8.88  |

### NEMA 42 Dimensions

|         |   |
|---------|---|
| L3 [in] | - |
| E [in]  | - |
| F [in]  | - |

### NEMA 48 Dimensions

|         |   |
|---------|---|
| L3 [in] | - |
| E [in]  | - |
| F [in]  | - |

### NEMA 56C Dimensions

|         |      |
|---------|------|
| L3 [in] | 7.25 |
| E [in]  | 6.75 |
| F [in]  | 3.75 |

### NEMA 182TC Dimensions

|         |      |
|---------|------|
| L3 [in] | 8.00 |
| E [in]  | 9.25 |
| F [in]  | 3.75 |

### NEMA 184TC Dimensions

|         |   |
|---------|---|
| L3 [in] | - |
| E [in]  | - |
| F [in]  | - |

### NEMA 213TC Dimensions

|         |   |
|---------|---|
| L3 [in] | - |
| E [in]  | - |
| F [in]  | - |