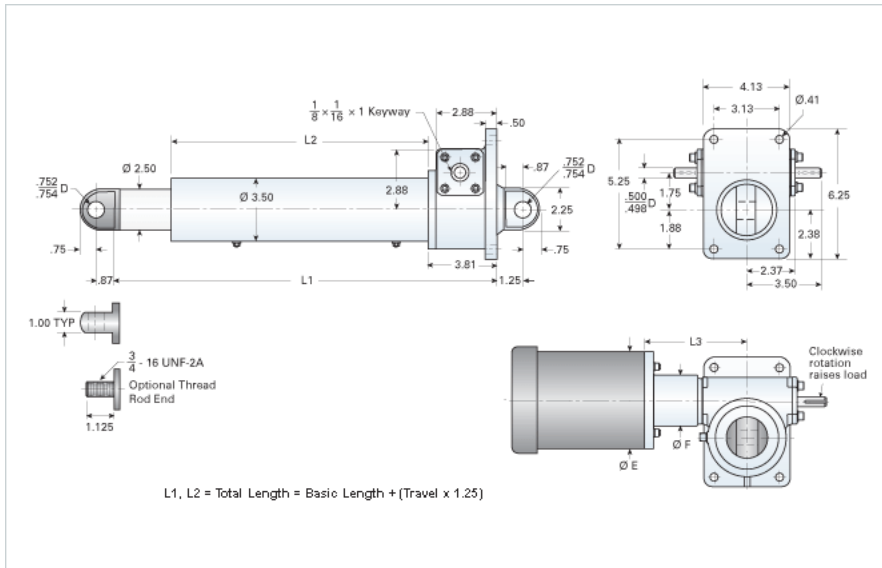


DD-3012-HD/07XX

Call 800-321-7800 or visit us online at www.nookindustries.com to configure and order your DD-3012-HD/07XX today!



Performance Specifications

| | |
|--|---------|
| Travel Rate [in/min] | 60 |
| Dynamic Capacity [lb] | 2500 |
| Rated Life [in] | 3780000 |
| Motor Horse Power [hp] | 0.75 |
| Maximum Rod Reaction Torque [in-lb] | 183 |
| Std. Brake Torque [ft-lb] | 6 |
| Approximate Stopping Distance No Load [in] | 0.05 |
| Approximate Stopping Distance Full Load [in] | 0.07 |

Details

| | |
|--------------------------------|--------|
| Gear Ratio | 12:1 |
| Input Turns Per Inch Of Travel | 29.1 |
| Torque To Raise 1 lb. [in-lb] | 0.0169 |
| Max Capacity [lb] | 6000 |
| Max HP [hp] | 1.5 |

Weight

| | |
|-------------------------|------|
| Basic Weight [lb] | 38 |
| Per Inch of Travel [lb] | 1.31 |

Tube Dimensions

| | |
|----------------------|-------|
| L1 Basic Length [in] | 12.44 |
| L2 Basic Length [in] | 7.13 |

NEMA 42 Dimensions

| | |
|---------|---|
| L3 [in] | - |
| E [in] | - |
| F [in] | - |

NEMA 48 Dimensions

| | |
|---------|---|
| L3 [in] | - |
| E [in] | - |
| F [in] | - |

NEMA 56C Dimensions

| | |
|---------|------|
| L3 [in] | 6.25 |
| E [in] | 6.62 |
| F [in] | 3.50 |

NEMA 182TC Dimensions

| | |
|---------|---|
| L3 [in] | - |
| E [in] | - |
| F [in] | - |

NEMA 184TC Dimensions

| | |
|---------|---|
| L3 [in] | - |
| E [in] | - |
| F [in] | - |

NEMA 213TC Dimensions

| | |
|---------|---|
| L3 [in] | - |
| E [in] | - |
| F [in] | - |