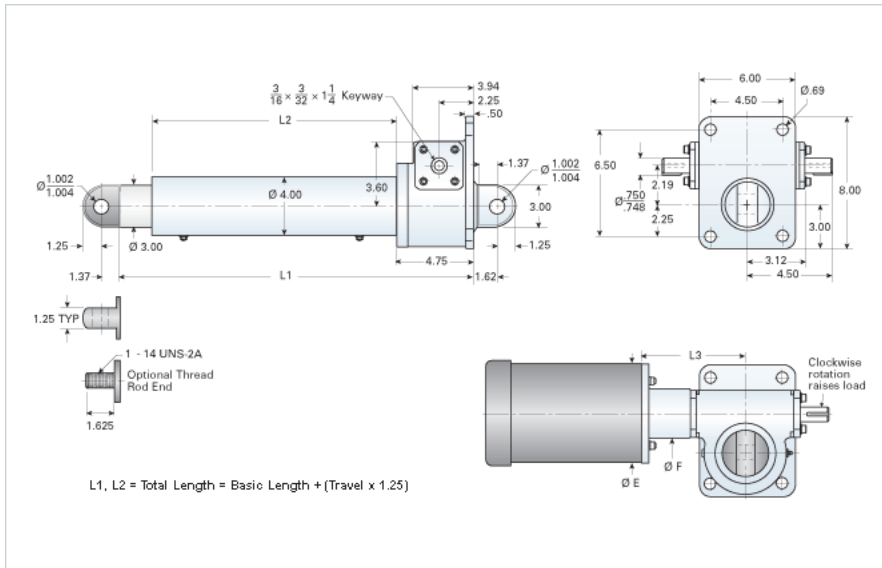


DD-508-A4/20XX

Call 800-321-7800 or visit us online at www.nookindustries.com to configure and order your DD-508-A4/20XX today!



Performance Specifications

| | |
|--|------|
| Travel Rate [in/min] | 54 |
| Dynamic Capacity [lb] | 3000 |
| Motor Horse Power (ref.) [hp] | 3 |
| Std. Brake Torque [ft-lb] | 15 |
| Approximate Stopping Distance No Load [in] | 0.08 |
| Maximum Rod Reaction Torque [in-lb] | 455 |

Details

| | |
|--------------------------------|---------|
| Gear Ratio | 8:1 |
| Input Turns Per Inch Of Travel | 48 |
| Torque To Raise 1 lb. [in-lb] | 0.03192 |
| Max Capacity [lb] | 10000 |
| Max HP [hp] | 2 |

Weight

| | |
|-------------------------|------|
| Basic Weight [lb] | 53 |
| Per Inch of Travel [lb] | 1.87 |

Tube Dimensions

| | |
|----------------------|-------|
| L1 Basic Length [in] | 12.38 |
| L2 Basic Length [in] | 6.06 |

NEMA 42 Dimensions

| | |
|---------|---|
| L3 [in] | - |
| E [in] | - |
| F [in] | - |

NEMA 48 Dimensions

| | |
|---------|---|
| L3 [in] | - |
| E [in] | - |
| F [in] | - |

NEMA 56C Dimensions

| | |
|---------|------|
| L3 [in] | 7.25 |
| E [in] | 6.75 |
| F [in] | 3.75 |

NEMA 182TC Dimensions

| | |
|---------|------|
| L3 [in] | 8.00 |
| E [in] | 9.25 |
| F [in] | 3.75 |

NEMA 184TC Dimensions

| | |
|---------|---|
| L3 [in] | - |
| E [in] | - |
| F [in] | - |

NEMA 213TC Dimensions

| | |
|---------|---|
| L3 [in] | - |
| E [in] | - |
| F [in] | - |