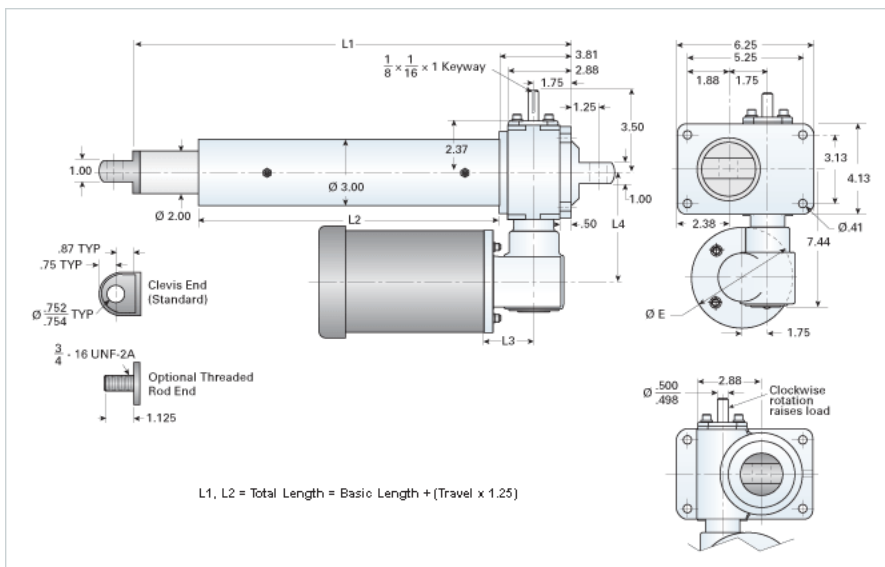


RAD-2546-HD/03XX

Call 800-321-7800 or visit us online at www.nookindustries.com to configure and order your RAD-2546-HD/03XX today!



Performance Specifications

| | |
|--|--------|
| Travel Rate [in/min] | 3 |
| Dynamic Capacity [lb] | 5000 |
| Rated Life [in] | 270000 |
| Motor Horse Power | 0.25 |
| Maximum Rod Reaction Torque [in-lb] | 221 |
| Std. Brake Torque [ft-lb] | 3 |
| Approximate Stopping Distance No Load [in] | 0.003 |
| Approximate Stopping Distance Full Load [in] | 0.003 |

Details

| | |
|--------------------------------|-------|
| Gear Ratio Primary Reduction | 24:1 |
| Gear Ratio Secondary Reduction | 6:1 |
| Input Turns Per Inch Of Travel | 576 |
| Torque To Raise 1 lb. [in-lb] | 0.001 |
| Max Capacity [lb] | 5000 |
| Max HP [hp] | 0.33 |

Weight

| | |
|-------------------------|------|
| Basic Weight [lb] | 46 |
| Per Inch of Travel [lb] | 1.05 |

Tube Dimensions

| | |
|----------------------|-------|
| L1 Basic Length [in] | 12.44 |
| L2 Basic Length [in] | 7.13 |

NEMA 56C Dimensions

| | |
|---------|------|
| L3 [in] | 3.69 |
| L4 [in] | 5.63 |
| E [in] | 6.69 |

NEMA 180TC Dimensions

| | |
|---------|---|
| L3 [in] | - |
| L4 [in] | - |
| F [in] | - |