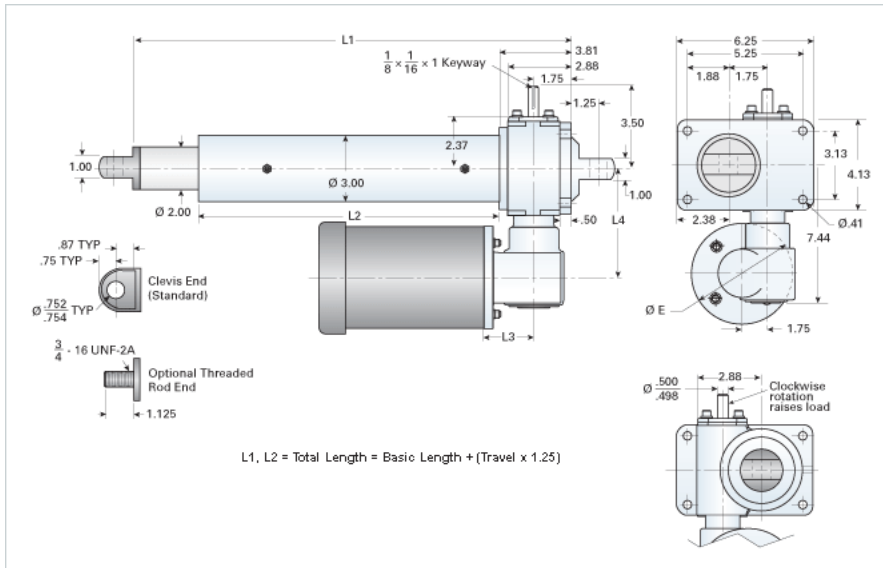


## RAD-2562-HD/03XX

Call 800-321-7800 or visit us online at [www.nookindustries.com](http://www.nookindustries.com) to configure and order your RAD-2562-HD/03XX today!



### Performance Specifications

Travel Rate [in/min]	6
Dynamic Capacity [lb]	5000
Rated Life [in]	270000
Motor Horse Power	0.33
Maximum Rod Reaction Torque [in-lb]	221
Std. Brake Torque [ft-lb]	3
Approximate Stopping Distance No Load [in]	0.007
Approximate Stopping Distance Full Load [in]	0.007

### Details

Gear Ratio Primary Reduction	6:1
Gear Ratio Secondary Reduction	12:1
Input Turns Per Inch Of Travel	288
Torque To Raise 1 lb. [in-lb]	0.0015
Max Capacity [lb]	5000
Max HP [hp]	0.33

### Weight

Basic Weight [lb]	46
Per Inch of Travel [lb]	1.05

### Tube Dimensions

L1 Basic Length [in]	12.44
L2 Basic Length [in]	7.13

### NEMA 56C Dimensions

L3 [in]	3.69
L4 [in]	5.63
E [in]	6.69

### NEMA 180TC Dimensions

L3 [in]	-
L4 [in]	-
F [in]	-