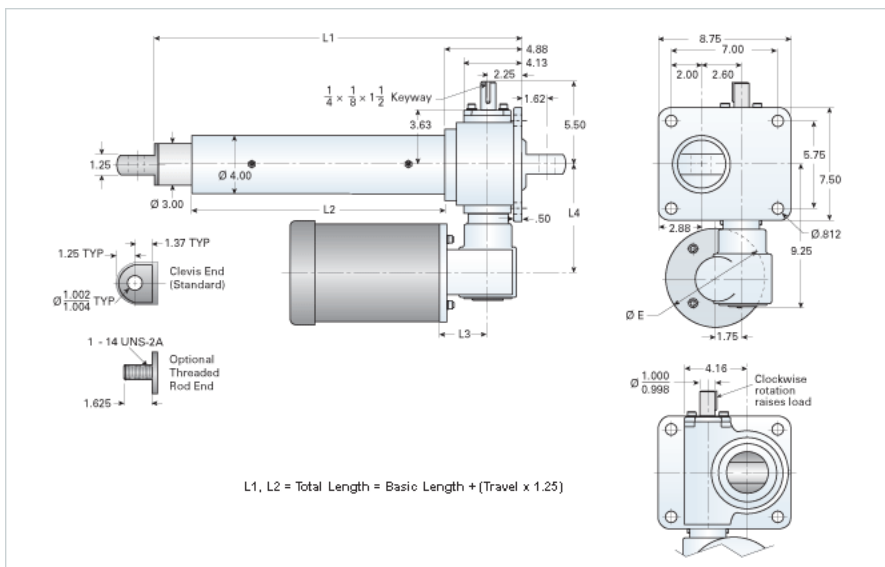


## RAD-10082-A2/10XX

Call 800-321-7800 or visit us online at [www.nookindustries.com](http://www.nookindustries.com) to configure and order your RAD-10082-A2/10XX today!



### Performance Specifications

Travel Rate [in/min]	9
Dynamic Capacity [lb]	6275
Motor Horse Power	1
Maximum Rod Reaction Torque [in-lb]	1249
Std. Brake Torque [ft-lb]	6
Approximate Stopping Distance No Load [in]	0.07

### Details

Gear Ratio Primary Reduction	8:1
Gear Ratio Secondary Reduction	12:1
Input Turns per Inch of Travel	192
Torque to Raise 1 lb. [in-lb]	0.0058
Max Capacity [lb]	20000
Max HP [hp]	1

### Weight

Basic Weight [lb]	89
Per Inch of Travel [lb]	2.50

### Tube Dimensions

L1 Basic Length [in]	12.88
L2 Basic Length [in]	6.50

### NEMA 56C Dimensions

L3 [in]	3.69
L4 [in]	5.63
E [in]	6.69

### NEMA 180TC Dimensions

L3 [in]	-
L4 [in]	-
F [in]	-