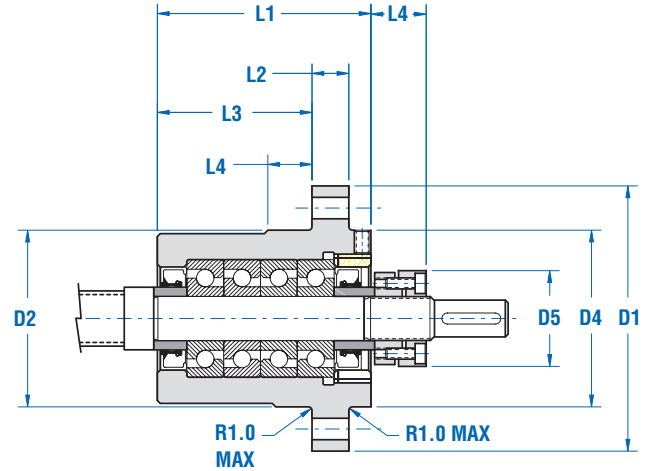
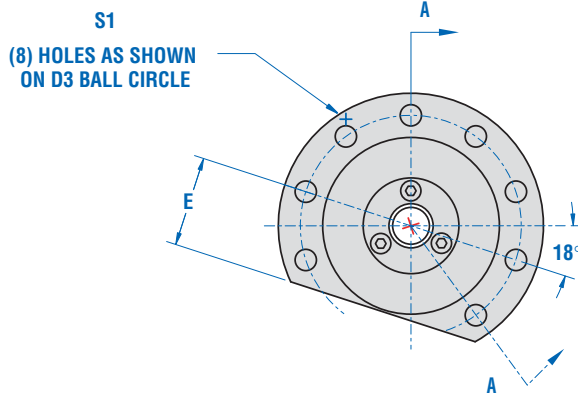


EZRF BEARING SUPPORT UNITS FOR NRS 15x2 to 75x30



Roller screw high load ratings and extreme performance characteristics place large demands on end support units, Nook Industries has developed support units capable of handling these demands. Nook series EZRF end support units are matched to the roller screw (see dimension table below) and are designed to provide high load carrying capacity, precision, speed, rigidity, low friction, and ease of maintenance and installation. EZRF supports include a MKR locknut.



Part No.	Roller Screw	L1	L2	L3	L4	L5	D1	D2	g6	D3	D4	D5	E	S
EZRF-3012	NRS 15	67	10	51	14	15	72	48		60	48	26	25	5.8
EZRF-3015	NRS 20	72	10	55.5	15	17	82	54		68	54	33	28	6.8
EZRF-3017	NRS 21	78	12	59	16	19	92	64		78	64	35	33	6.8
	NRS 23	78	12	59	16	19	92	64		78	64	35	33	6.8
EZRF-3020	NRS 25	82	12	62	17	19	100	64		82	64	40	33	8.8
EZRF-3025	NRS 27	93	15	69.5	19	21	116	80		98	80	45	41	8.8
	NRS 30	93	15	69.5	19	21	116	80		98	80	45	41	8.8
EZRF-3035	NRS 39	110	20	78.5	23	23	140	100		120	100	53	51	10.8
EZRF-3040	NRS 44	120	20	85.5	25	23	160	112		136	112	58	57	12.8
EZRF-3045	NRS 48	130	20	94.5	27	23	174	125		150	125	68	63.5	12.8
EZRF-3055	NRS 60	152	25	111.5	31	26	214	150		182	150	75	76	16.8
EZRF-3060	NRS 64	164	25	122.5	33	27	226	162		194	162	84	82	16.8
EZRF-3070	NRS 75	186	30	137.5	37	29	268	188		228	188	95	95	20.8

*Note: All dimensions are in mm unless otherwise indicated.

END FIXITY

