

Standard Screw Lengths	PART NUMBERS		
	RH	LH	RHSS
2 FT.	SRT9420	SRT8528	SRT6536
4 FT.	SRT7538	SRT8532	SRT6540

Custom cut lengths available up to 12'. For longer lengths contact Customer Service.

# 0375-0125 SRT

**LEAD ACCURACY:** ±0.004 in./ft.

Single Start

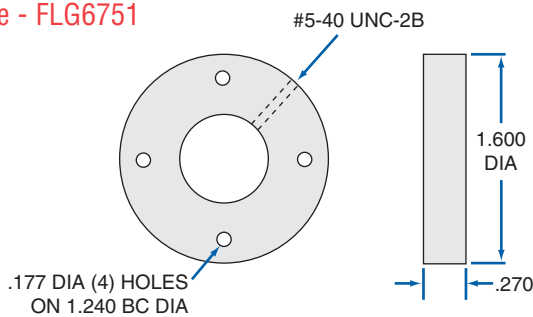
- 0.375** Ball Circle Diameter
- 0.125** Lead
- 0.300** Root Diameter
- 0.0625** Nominal Ball Diameter
- 0.31** Screw Weight (lbs./ft.)

SBN Single Circuit Ball Nut				60 bearing balls total per nut
PRODUCT SPECIFICATIONS	RH	LH	RHSS	
Dynamic Load (lbs.)	136	136	24	
Static Load (lbs.)	1,415	1,415	255	
Torque to Raise 1 lb. (in.-lb.)	.022	.022	.022	
Nut Weight (lbs.)	.13	.13	.13	
Ball Nut Number	SBN9574	SBN9576	SBN9578	
Flange Part Number	FLG6751	FLG6751	—	
Wiper Kit Part Number	—	—	—	

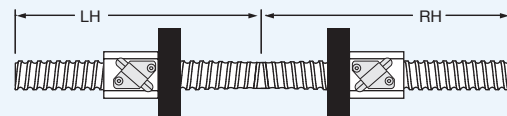
SBN Double Circuit Ball Nut				60 bearing balls per circuit - 120 total per nut
PRODUCT SPECIFICATIONS	RH	LH	RHSS	
Dynamic Load (lbs.)	272	272	50	
Static Load (lbs.)	2,830	2,830	509	
Torque to Raise 1 lb. (in.-lb.)	.022	.022	.022	
Nut Weight (lbs.)	.21	.21	.21	
Ball Nut Number	SBN7502	SBN8282	SBN7643	
Flange Part Number	FLG6751	FLG6751	—	
Wiper Kit Part Number	—	—	—	

SEL Preload Ball Nut				60 bearing balls per circuit - 120 total per nut
PRODUCT SPECIFICATIONS	RH	LH	RHSS	
Dynamic Load (lbs.)	136	—	—	
Static Load (lbs.)	1,415	—	—	
Torque to Raise 1 lb. (in.-lb.)	.022	—	—	
Preload (lbs.)	10	—	—	
Nut Weight (lbs.)	.21	—	—	
Ball Nut Number	SEL0375	—	—	
Flange Part Number	FLG6751	—	—	
Wiper Kit Part Number	—	—	—	

**Flange - FLG6751**



## TWIN-LEAD SCREW



See page 148 for complete product details.

## EZZE-MOUNT™ END BEARING SUPPORTS

A convenient solution for mounting ball screw assemblies.



Single or Double Bearing Universal Mount    Single or Double Bearing Flange Mount

See page 214 for complete product details.