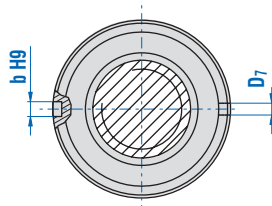
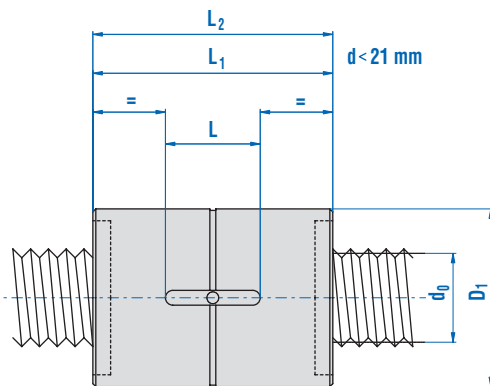


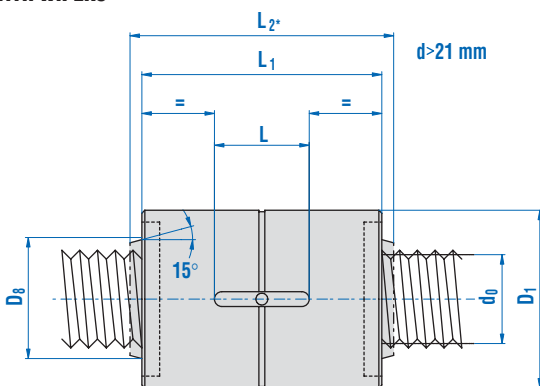


Nook Planetary Roller Screws are used in the most demanding and precise linear motion applications. With a greater number of contact points a roller screw provides stiffness and higher load ratings compared to a ball screw.

**WITHOUT WIPERS**



**WITH WIPERS**



Nominal  
Screw Dia.

Lead

$d_0$  Dia. x Lead  $Ph_0$   $D_1$   $D_7$   $D_8$   
 $g_6$

<b>8</b>	<b>NRS 8x2</b>	2	21	3	-
	<b>NRS 8x4</b>	4	21	3	-
<b>12</b>	<b>NRS 12x2</b>	2	26	3	-
	<b>NRS 12x4</b>	4	26	3	-
<b>15</b>	<b>NRS 12x5</b>	5	26	3	-
	<b>NRS 15x2</b>	2	34	3	-
	<b>NRS 15x4</b>	4	34	3	-
<b>20</b>	<b>NRS 15x5</b>	5	34	3	-
	<b>NRS 20x2</b>	2	42	3	-
	<b>NRS 20x4</b>	4	42	3	-
<b>21</b>	<b>NRS 20x5</b>	5	42	3	-
	<b>NRS 20x6</b>	6	42	3	-
	<b>NRS 21x5</b>	5	45	5	26
<b>23</b>	<b>NRS 21x8</b>	8	45	5	26
	<b>NRS 21x10</b>	10	45	5	26
	<b>NRS 23x2</b>	2	45	4	30
<b>25</b>	<b>NRS 23x4</b>	4	45	5	30
	<b>NRS 23x8</b>	8	45	5	30
	<b>NRS 25x5</b>	5	53	5	32
<b>27</b>	<b>NRS 25x10</b>	10	53	5	32
	<b>NRS 27x2</b>	2	53	4	35
	<b>NRS 27x4</b>	4	53	5	35
	<b>NRS 27x8</b>	8	53	5	35

\*Note: Dimensions with wipers available by request.  
kN x 224.82 = lbs

\*\*Note: All dimensions are in mm unless otherwise indicated.

**NRS NUT STYLES**

Keyway <b>L x b x h</b>	<b>L<sub>1</sub></b> h <sub>12</sub>	<b>L<sub>2*</sub></b> h <sub>12</sub>	<b>B: one-piece cylindrical nut</b>			<b>S: split cylindrical nut</b>		Locknut	EZZE-Mount
			Dynamic Load Ratings <b>C<sub>a</sub></b> kN	Static Load Ratings <b>C<sub>0a</sub></b> kN	backlash mm	Dynamic Load Ratings <b>C<sub>a</sub></b> kN	Static Load Ratings <b>C<sub>0a</sub></b> kN		
10 x 3 x 3	31	41	6.98	17.91	0.02	4.19	8.90	-	-
10 x 3 x 3	31	41	5.43	18.63	0.02	3.26	9.31	-	-
10 x 3 x 3	31	41	10.24	26.72	0.02	6.14	13.36	-	-
10 x 3 x 3	31	41	8.92	27.74	0.02	5.35	13.87	-	-
10 x 3 x 3	31	41	8.31	31.00	0.02	4.88	15.50	-	-
14 x 4 x 4	35	51	13.47	31.74	0.02	8.08	15.87	<b>MKR 12x1</b>	<b>EZRF-3012</b>
14 x 4 x 4	35	51	11.94	33.00	0.02	7.16	16.50	<b>MKR 12x1</b>	<b>EZRF-3012</b>
14 x 4 x 4	35	51	11.20	36.90	0.02	6.72	18.45	<b>MKR 12x1</b>	<b>EZRF-3012</b>
20 x 4 x 4	55	65	33.00	66.00	0.02	19.80	33.00	<b>MKR 15x1</b>	<b>EZRF-3015</b>
20 x 4 x 4	55	65	29.54	68.63	0.02	17.72	34.31	<b>MKR 15x1</b>	<b>EZRF-3015</b>
20 x 4 x 4	55	65	27.80	76.73	0.02	16.68	38.37	<b>MKR 15x1</b>	<b>EZRF-3015</b>
20 x 4 x 4	55	65	26.42	79.14	0.02	15.91	39.13	<b>MKR 15x1</b>	<b>EZRF-3015</b>
20 x 5 x 5	64	72	40.70	68.70	0.02	24.40	34.20	<b>MKR 17x1</b>	<b>EZRF-3017</b>
20 x 5 x 5	64	72	44.20	69.00	0.02	26.50	34.50	<b>MKR 17x1</b>	<b>EZRF-3017</b>
20 x 5 x 5	64	72	47.90	69.50	0.02	28.70	35.00	<b>MKR 17x1</b>	<b>EZRF-3017</b>
20 x 5 x 5	55	65	40.89	66.80	0.02	24.63	33.40	<b>MKR 17x1</b>	<b>EZRF-3017</b>
20 x 5 x 5	55	65	40.12	64.38	0.02	24.17	32.19	<b>MKR 17x1</b>	<b>EZRF-3017</b>
20 x 5 x 5	55	65	38.41	69.02	0.04	23.14	34.51	<b>MKR 17x1</b>	<b>EZRF-3017</b>
25 x 6 x 6	78	90	52.70	92.00	0.02	31.60	46.00	<b>MKR 20x1</b>	<b>EZRF-3020</b>
25 x 6 x 6	78	90	60.50	89.50	0.04	36.30	44.70	<b>MKR 20x1</b>	<b>EZRF-3020</b>
20 x 5 x 5	55	69	44.32	77.66	0.02	26.70	38.83	<b>MKR 25x1.5</b>	<b>EZRF-3025</b>
20 x 5 x 5	55	69	40.34	80.76	0.02	24.30	40.38	<b>MKR 25x1.5</b>	<b>EZRF-3025</b>
20 x 5 x 5	55	69	42.10	99.26	0.04	25.36	49.63	<b>MKR 25x1.5</b>	<b>EZRF-3025</b>