

0500-0200 SRT

LEAD ACCURACY: ±0.004 in./ft.

Single Start

- 0.500** Ball Circle Diameter
- 0.200** Lead
- 0.405** Root Diameter
- 0.125** Nominal Ball Diameter
- 0.50** Screw Weight (lbs./ft.)

Standard Screw Lengths	PART NUMBERS
	RH
2 FT.	SRT5224
4 FT.	SRT5248
6 FT.	SRT5272

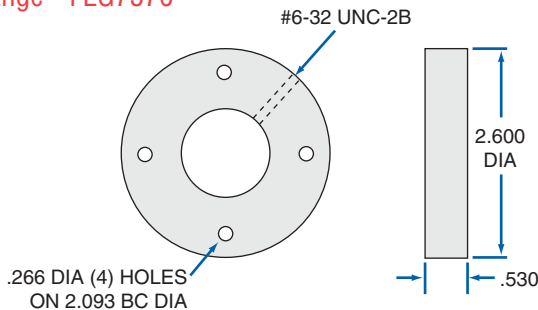
Custom cut lengths available up to 12'. For longer lengths contact Customer Service.

INCH BALL SCREW AND NUT TECHNICAL DATA

SBN Double Circuit Ball Nut		40 bearing balls per circuit - 80 total per nut
PRODUCT SPECIFICATIONS	RH	
Dynamic Load (lbs.)	973	
Static Load (lbs.)	7,071	
Torque to Raise 1 lb. (in.-lb.)	.035	
Nut Weight (lbs.)	.51	
Ball Nut Number	SBN10094	
Flange Part Number	FLG7570	
Wiper Kit Part Number	—	

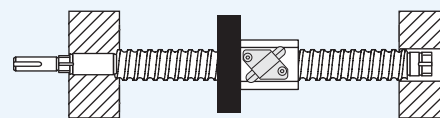
SEL Adjustable Preload Ball Nut		40 bearing balls per circuit - 160 total per nut
PRODUCT SPECIFICATIONS	RH	
Dynamic Load (lbs.)	973	
Static Load (lbs.)	7,071	
Torque to Raise 1 lb. (in.-lb.)	.035	
Preload Range (lbs.)	97-292	
Nut Weight (lbs.)	1.1	
Ball Nut Number	SEL10103	
Flange Part Number	FLG7570	
Wiper Kit Part Number	—	

Flange - FLG7570



BALL SCREW ASSEMBLIES

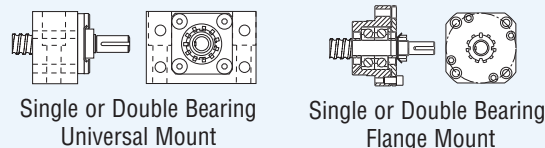
These assemblies are shipped with screw, nut, flange, and bearing supports.



See page 145 for complete product details.

EZZE-MOUNT™ END BEARING SUPPORTS

A convenient solution for mounting ball screw assemblies.



See page 214 for complete product details.

LUBRICANT

Prolong ball screw and nut performance with this special lubricant.

E-900 12oz. Spray or 32oz. Liquid
See page 95 for complete product details.

