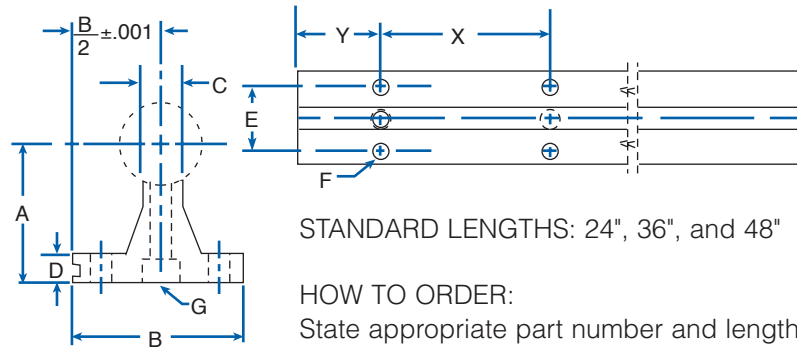


PREDRILLED SHAFT SUPPORT ASSEMBLIES

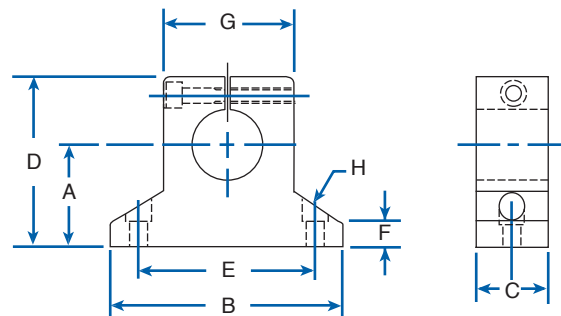
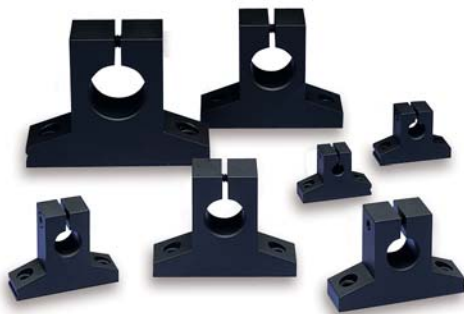


SHAFTING SUPPORTS TECHNICAL DATA

PART NO.	NOM. SHAFT DIA. (in.)	A ±.002	B	C	D	E	F		G		Y	X	WT. PER FT./LBS.
							BOLT	HOLE	SCREW	HOLE			
NSR-8-PDA	1/2	1.125	1-1/2"	1/4"	3/16"	1"	6	.169	6-32 x 7/8	.169	2	4	1.26
NSR-10-PDA	5/8	1.125	1-5/8"	5/16"	1/4"	1-1/8"	8	.193	8-32 x 7/8	.193	2	4	1.83
NSR-12-PDA	3/4	1.500	1-3/4"	3/8"	1/4"	1-1/4"	10	.221	10-32 x 1-1/4	.221	3	6	2.50
NSR-16-PDA	1	1.750	2-1/8"	1/2"	1/4"	1-1/2"	1/4"	.281	1/4-20 x 1-1/2	.281	3	6	4.06
NSR-20-PDA	1-1/4	2.125	2-1/2"	9/16"	5/16"	1-7/8"	5/16"	.343	5/16-18 x 1-3/4	.343	3	6	6.28
NSR-24-PDA	1-1/2	2.500	3"	11/16"	3/8"	2-1/4"	3/8"	.406	3/8-16 x 2	.406	4*	8	8.60
NSR-32-PDA	2	3.250	3-3/4"	7/8"	1/2"	2-3/4"	1/2"	.531	1/2-13 x 2-1/2	.531	4*	8	14.88

*2 on 36" length

SHAFT SUPPORT BLOCKS



PART NO.	NOM. SHAFT DIA. (in.)	A ±.001	B	C	D	E ± 0.010	F	G	H		WEIGHT EACH
									BOLT	HOLE	
NSB-4	1/4	.687	1-1/2"	1/2"	1-1/16"	1-1/8"	1/4"	.63	#6	5/32"	.03
NSB-6	3/8	.750	1-5/8"	9/16"	1-3/16"	1-1/4"	1/4"	.75	#6	5/32"	.05
NSB-8	1/2	1.000	2"	5/8"	1-5/8"	1-1/2"	1/4"	.88	#8	3/16"	.14
NSB-10	5/8	1.000	2-1/2"	11/16"	1-3/4"	1-7/8"	5/16"	1.13	#10	7/32"	.16
NSB-12	3/4	1.250	2-3/4"	3/4"	2-1/8"	2"	5/16"	1.25	#10	7/32"	.21
NSB-16	1	1.500	3-1/4"	1"	2-9/16"	2-1/2"	3/8"	1.50	1/4"	9/32"	.40
NSB-20	1-1/4	1.750	4"	1-1/8"	3"	3"	7/16"	2.00	5/16"	11/32"	.80
NSB-24	1-1/2	2.000	4-3/4"	1-1/4"	3-1/2"	3-1/2"	1/2"	2.25	5/16"	11/32"	1.10
NSB-32	2	2.500	6"	1-1/2"	4-3/8"	4-1/2"	5/8"	3.00	3/8"	13/32"	1.90