

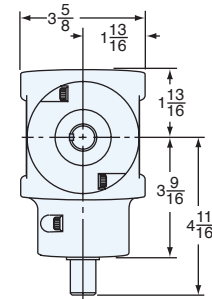
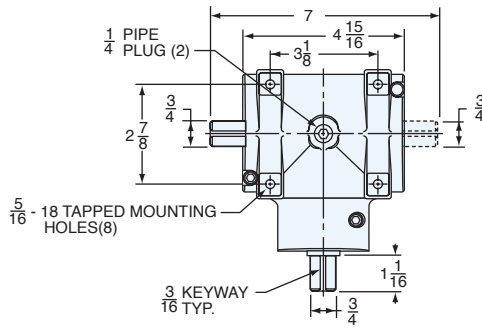
Jacks may be used in multiple arrangements by connecting shafting, couplings and gear boxes to simultaneously transmit power to the input shafts of the jacks. Nook Industries provides gearboxes for use with jacks. Make certain that the total torque and horsepower required by the

arrangement does not exceed the ratings of the box. Miter gear boxes can be operated up to 900 rpm. Higher speeds are permissible at lower torque ratings. Noise levels may increase at higher speeds. The operating efficiency of a miter gear box is 90%.

WORM GEAR SCREW JACK ACCESSORIES TECHNICAL DATA

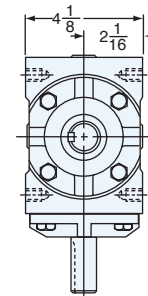
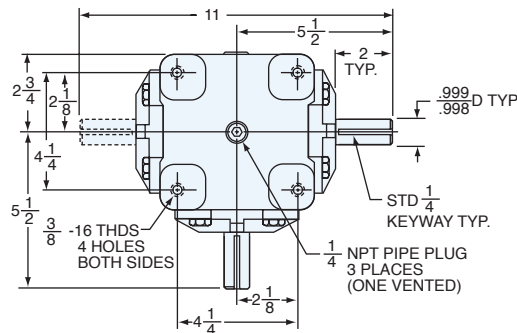
MODEL	RATED LOAD AT 900 RPM	ESTIMATED WT.
GB210	666 IN. LBS. @ 900 (9.52 H.P.)	6 <sup>1</sup> / <sub>4</sub> LBS.

**LUBRICATION:**  
GB 210  
Filled with EP-90  
Gear lubricant at  
time of shipment



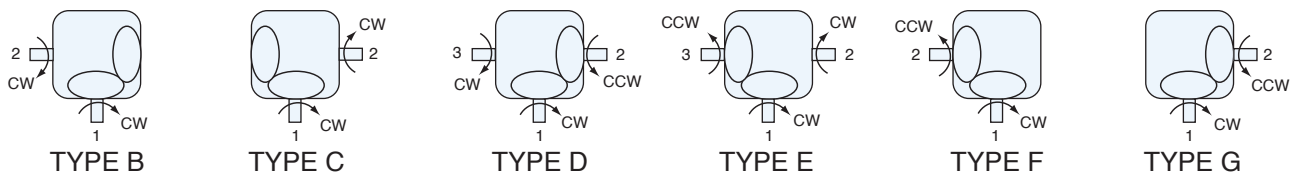
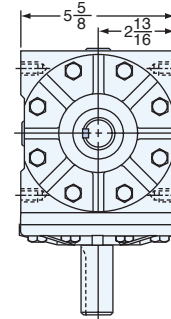
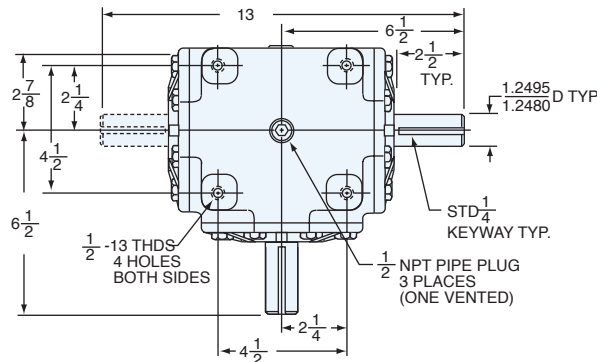
MODEL	RATED LOAD AT 900 RPM	ESTIMATED WT.
GB15	1094 IN. LBS. @ 900 (15.62 H.P.)	26 LBS.

**LUBRICATION:**  
GB 15  
Shipped dry  
Fill with EP-90  
Gear lubricant  
Capacity 1 qt.



MODEL	RATED LOAD AT 900 RPM	ESTIMATED WT.
GB12	2712 IN. LBS. @ 900 (38.72 H.P.)	39 LBS.

**LUBRICATION:**  
GB 12  
Shipped dry  
Fill with EP-90  
Gear lubricant  
Capacity 1 qt.



Gears are forged alloy steel. Shafts are stressproof steel ground and polished. Clockwise (CW) and counterclockwise (CCW) notations indicate direction of shaft rotation when facing outer end of shaft. All shaft arrangements will operate opposite direction for that shown. To order specify model number and desired shaft arrangement.