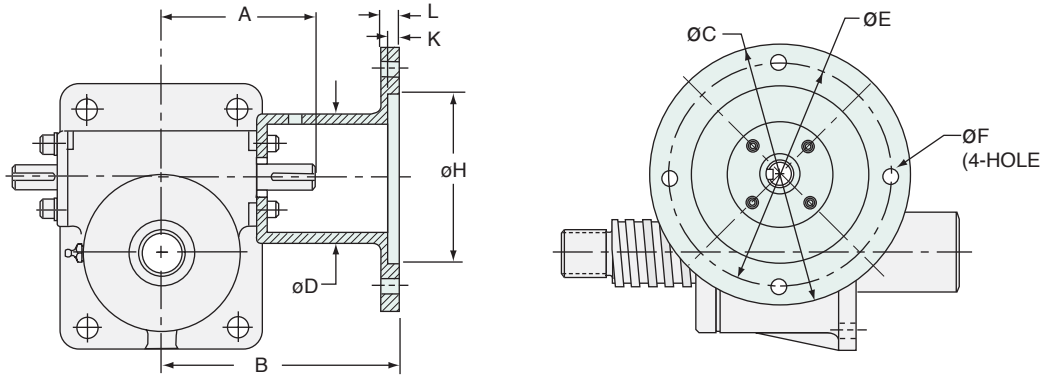


METRIC MOTOR MOUNTS



Other IEC Frame Motor Sizes available upon request, please contact factory

MODEL	IEC FRAME MOTOR SIZE	PART NUMBER	A REF	B	øC	øD	øE	øF	øH	K	L
EM05-BSJ EM05-MSJ	56B5	8026-01-00	57.5	100	120	64	100	8.5	80	3.5	7
	56B14	8020-01-00	57.5	100	80	64	65	6	50	3.0	6
EM1-BSJ EM1-MSJ	63B5	7825-01-00	76	114	140	70	115	9	95	4	8
	63B14	7826-01-00	76	114	90	70	75	6	60	3.5	8
	71B5	7821-01-00	76	120	160	85	130	9	110	4.5	10
	71B14	7822-01-00	76	120	105	85	85	7	70	4	10
EM2.5-BSJ EM2.5-MSJ	71B5	7785-01-00	90	135	160	85	130	9	110	4.5	10
	71B14	7773-01-00	90	135	105	85	85	7	70	4	10
	80B5	7787-01-00	90	145	200	85	165	11	130	4.5	12
	80B14	7774-01-00	90	145	120	85	100	7	80	4.5	12
EM5-BSJ EM5-MSJ	80B5	7795-01-00	115	180	200	98	165	11	130	4.5	12
	80B14	7791-01-00	115	170	120	96	100	7	80	4.5	12
	90B5	7790-01-00	115	180	200	96	165	11	130	4.5	12
	90B14	7796-01-00	115	180	140	96	115	9	95	4.5	12
EM10-BSJ EM10-MSJ	90B5	7798-01-00	140	207	200	116	165	11	130	4.5	12
	90B14	7799-01-00	140	207	140	116	115	9	95	4.5	12
	100B5	7802-01-00	140	217	250	116	215	13	180	5	14
	100B14	7803-01-00	140	217	160	116	130	9	110	5	14
EM20-BSJ EM-20-MSJ	100B5	7809-01-00	150	230	250	134	215	13	180	5	14
	100B14	7811-01-00	150	230	160	134	130	9	110	5	14

WORM GEAR SCREW JACK ACCESSORIES TECHNICAL DATA