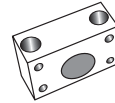
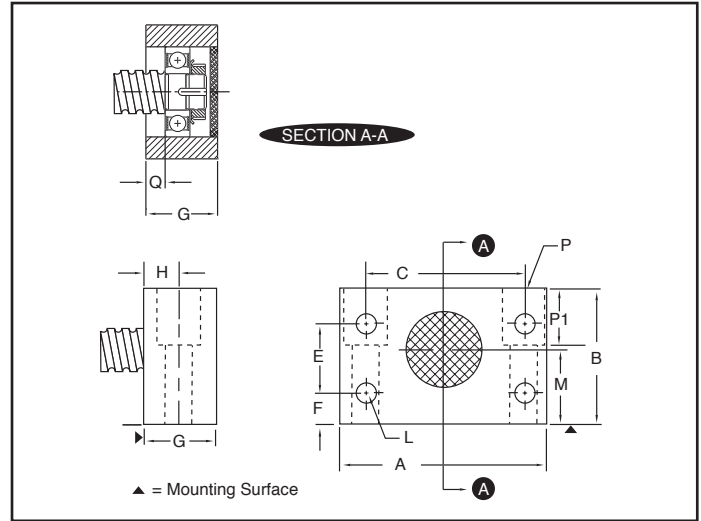
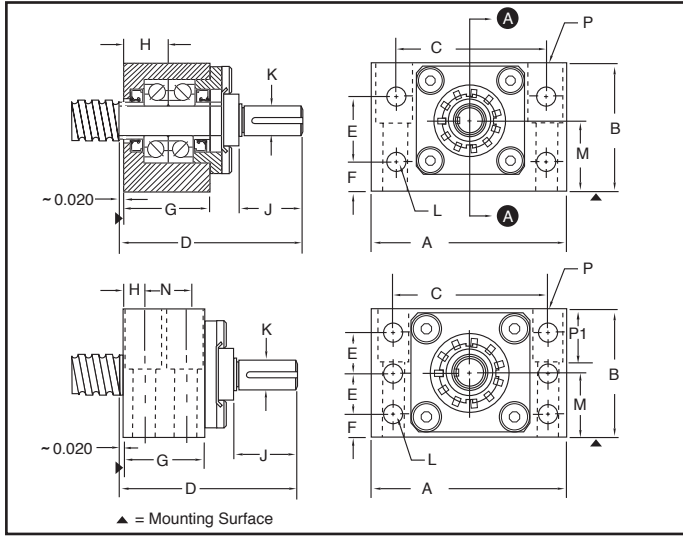


**Universal-Mount Double**  
Double Angular Contact Bearing, which should be used with Type 3 Standard Ends



**Universal-Mount Single**  
Single Radial Bearing, which should be used with Type 1 Standard Ends



When mounting Ezee-Mounts opposite to what is shown, contact Nook engineering for proper dimensions.

DOUBLE Part No.	SINGLE Part No.	A	B	C	D	E	F	G		H	J	K Shaft Dia.	L Thru (4 or 6)	M	N	P				Q	END CODE
								Single	Double							Bolt Size (2 or 4)	Thru	C'Bore	P1		
EZM-1007	EZM-4007	2.00	1.38	1.50	1.94	0.88	0.25	1.06	1.06	0.50	0.46	0.187 0.186	0.22(4)	0.687	—	¼ x 1½(2)	0.28	0.41	0.41	0.19	7
EZM-1008	EZM-4008	2.00	1.38	1.50	2.00	0.88	0.25	1.06	1.06	0.50	0.56	0.250 0.249	0.22(4)	0.687	—	¼ x 1½(2)	0.28	0.41	0.41	0.19	8
EZM-1009	EZM-4009	2.75	2.00	2.00	2.38	1.38	0.31	1.19	1.19	0.56	0.56	0.250 0.249	0.28(4)	1.000	—	⅝ x 2(2)	0.34	0.50	0.56	0.38	9
EZM-3010	EZM-4010	2.75	2.00	2.00	2.50	1.38	0.31	1.19	1.19	0.56	0.69	0.312 0.311	0.28(4)	1.000	—	⅝ x 2(2)	0.34	0.50	0.56	0.38	10
EZM-3012	EZM-4012	3.50	2.22	2.75	3.29	1.25	0.50	1.38	1.38	0.69	1.30	0.406 0.405	0.28(4)	1.187	—	⅝ x 1½(2)	0.41	0.62	1.00	0.33	12
EZM-3015	EZM-4015	3.50	2.52	2.75	3.50	1.25	0.80	1.38	1.38	0.69	1.30	0.500 0.499	0.28(4)	1.438	—	⅝ x 2½(2)	0.41	0.62	1.00	0.33	15
EZM-3017	EZM-4017	4.50	2.69	3.38	3.65	1.38	0.62	1.69	1.69	0.84	1.30	0.500 0.499	0.41(4)	1.500	—	½ x 2½(2)	0.53	0.88	1.25	0.38	17
EZM-2020	EZM-4020	5.00	3.03	3.75	4.03	1.50	0.75	1.72	1.72	0.86	1.30	0.625 0.624	0.47(4)	1.625	—	⅝ x 2½(2)	0.66	1.00	1.50	0.55	20
EZM-3025	EZM-4025	6.50	3.69	4.75	4.45	2.00	0.88	1.94	1.94	0.97	1.61	0.750 0.749	0.66(4)	1.875	—	⅝ x 3¼(2)	0.91	1.38	1.75	0.52	25
EZM-2030	EZM-4030	6.50	3.69	4.75	4.86	2.00	0.88	1.94	1.94	0.97	1.81	1.000 0.999	0.66(4)	1.875	—	⅝ x 3¼(2)	0.91	1.38	1.75	0.52	30
EZM-3045	EZM-4045	8.50	5.62	6.62	6.68	1.81	1.00	3.47	3.47	0.88	2.19	1.375 1.374	0.81(6)	2.812	1.71	1 x 5(4)	1.03	1.56	2.13	0.98	45
EZM-3060	EZM-4060	10.00	7.50	8.00	9.22	2.50	1.50	4.19	4.19	1.03	3.68	2.250 2.249	1.03(6)	4.000	2.13	1 x 5(4)	1.03	1.56	4.00	1.22	60
EZM-3080	—	12.50	8.50	10.00	11.56	2.75	1.75	—	5.13	1.219	4.69	3.000 2.998	1.28(6)	4.500	2.68	1¼ x 4¾(4)	1.28	1.94	4.75	—	80